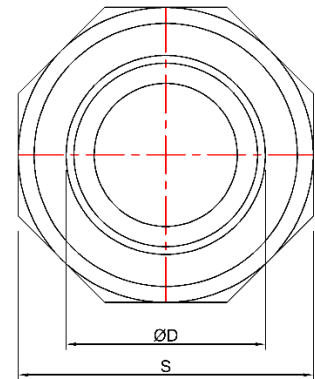
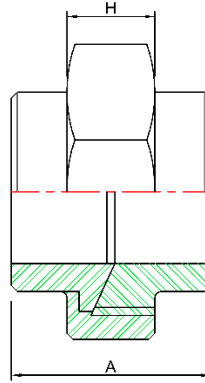


Project Name: _____
 Job #: _____

150# CAST
 A351
 (Uni)

**Class 150 # - CAST FITTINGS, ASTM A351 -
 Regular Pattern**

UNION - SOCKET WELD



- Grade: T304/CF8 T316/CF8M
 Connection: Socket weld
 Source: Import Domestic

DIMENSIONS

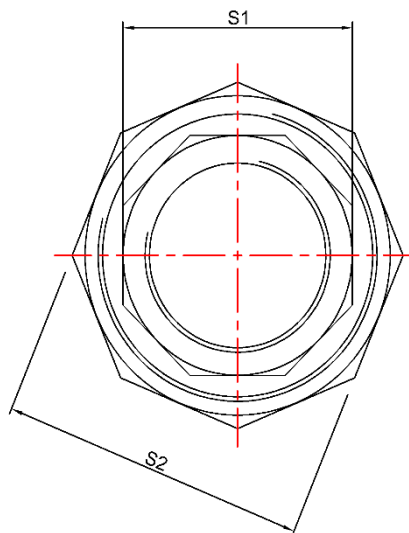
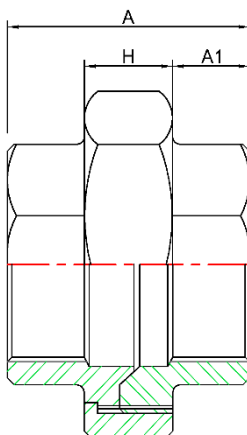
UOM: Inches/LBS

SELECT	SIZE	A	D	S	H
<input type="checkbox"/>	1/4	1.26	0.54	1.14	0.55
<input type="checkbox"/>	3/8	1.50	0.68	1.42	0.55
<input type="checkbox"/>	1/2	1.57	0.85	1.61	0.55
<input type="checkbox"/>	3/4	1.85	1.07	1.93	0.55
<input type="checkbox"/>	1	1.95	1.34	2.58	0.71
<input type="checkbox"/>	1 1/4	2.13	1.69	2.67	0.75
<input type="checkbox"/>	1 1/2	2.24	1.91	3.02	0.83
<input type="checkbox"/>	2	2.36	2.39	3.60	0.94
<input type="checkbox"/>	2 1/2	2.76	3.00	4.29	0.94
<input type="checkbox"/>	3	3.19	3.51	4.92	1.10

Thread Pattern conform to ANSI / ASME B1.20.1, NPT
 No Lead
 Stainless Wrought Fittings conform To ASTM A182, Barstock to ASTM A479

**Class 150 # - CAST FITTINGS, ASTM A351 -
Regular Pattern**

UNION - THREADED



- Grade: T304/CF8 T316/CF8M
 Connection: Threaded
 Source: Import Domestic

DIMENSIONS

UOM: Inches/LBS

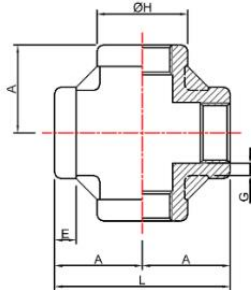
SELECT	SIZE	A	A1	H	S1	S2
<input type="checkbox"/>	1/8	1.46	0.47	0.59	0.71	1.14
<input type="checkbox"/>	1/4	1.46	0.47	0.59	0.71	1.14
<input type="checkbox"/>	3/8	1.54	0.47	0.63	0.91	1.42
<input type="checkbox"/>	1/2	1.61	0.51	0.59	1.06	1.61
<input type="checkbox"/>	3/4	1.65	0.63	0.63	1.26	1.93
<input type="checkbox"/>	1	2.01	0.67	0.71	1.61	2.28
<input type="checkbox"/>	1 1/4	2.05	0.63	0.83	1.97	2.68
<input type="checkbox"/>	1 1/2	2.20	0.71	0.87	2.20	3.03
<input type="checkbox"/>	2	2.36	0.71	0.98	2.72	3.62
<input type="checkbox"/>	2 1/2	2.95	1.02	0.98	3.35	4.29
<input type="checkbox"/>	3	3.50	1.18	1.14	3.90	4.92
<input type="checkbox"/>	4	3.90	1.26	1.34	4.92	6.14

Thread Pattern conform to ANSI / ASME B1.20.1, NPT
 No Lead
 Stainless Wrought Fittings conform To ASTM A182, Barstock to ASTM A479

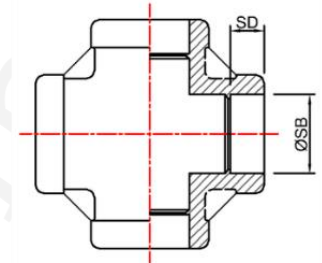
Project Name: _____
Job #: _____

Class 150# - CAST FITTINGS, ASTM A351 - MSS
SP114 Heavy Pattern

HEAVY PATTERN CROSS



Thread End



Socket - Weld End

- Grade: T304/CF8 T316/CF8M
 Connection: Threaded Socket weld
 Source: Import Domestic

DIMENSIONS

UOM: Inches/LBS

SELECT	SIZE	A	E	G	H	L	SB	SD
<input type="checkbox"/>	1/8	0.81	0.20	0.09	0.75	1.62	0.43	0.39
<input type="checkbox"/>	1/4	0.81	0.20	0.09	0.84	1.62	0.56	0.39
<input type="checkbox"/>	3/8	0.93	0.21	0.10	1.01	1.86	0.69	0.39
<input type="checkbox"/>	1/2	1.12	0.25	0.10	1.20	2.24	0.85	0.39
<input type="checkbox"/>	3/4	1.31	0.27	0.12	1.46	2.62	1.07	0.51
<input type="checkbox"/>	1	1.50	0.30	0.13	1.77	3.00	1.33	0.51
<input type="checkbox"/>	1 1/4	1.75	0.34	0.14	2.15	3.50	1.68	0.51
<input type="checkbox"/>	1 1/2	1.93	0.37	0.15	2.43	3.86	1.92	0.51
<input type="checkbox"/>	2	2.25	0.42	0.17	2.96	4.50	2.41	0.63
<input type="checkbox"/>	2 1/2	2.68	0.48	0.21	3.31	5.36	2.91	0.63
<input type="checkbox"/>	3	3.06	0.55	0.23	4.00	6.12	3.54	0.63
<input type="checkbox"/>	4	3.81	0.66	0.26	5.06	7.62	4.55	0.75

Thread Pattern conform to ANSI / ASME B1.20.1, NPT
 Stainless Castings conform to ASTM A351
 Stainless Wrought Fittings conform To ASTM A182, Barstock to ASTM A479
 Manufactured in accordance to ISO 9001: 2000