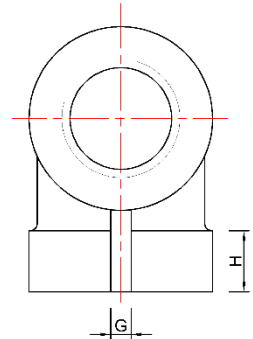
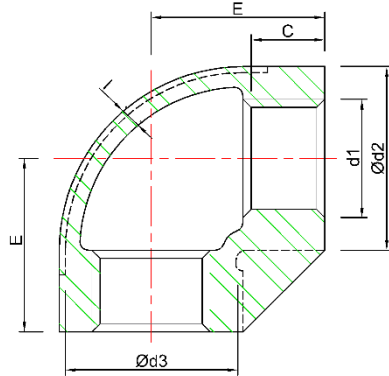


Project Name: \_\_\_\_\_  
Job #: \_\_\_\_\_

**Class 150 # - CAST FITTINGS, ASTM A351 -  
Regular Pattern**

**90° ELBOW**



- Grade:  T304/CF8     T316/CF8M  
 Connection:  Threaded  
 Source:  Import     Domestic

**DIMENSIONS**

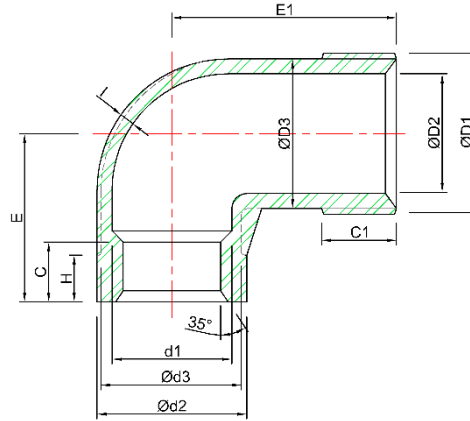
UOM: Inches/LBS

SELECT	SIZE	d1	d2	d3	C	E	G	H	I
<input type="checkbox"/>	1/8	1/8	0.63	0.53	0.24	0.67	0.14	0.24	0.08
<input type="checkbox"/>	1/4	1/4	0.75	0.61	0.37	0.77	0.16	0.24	0.08
<input type="checkbox"/>	3/8	3/8	0.89	0.77	0.38	0.94	0.16	0.31	0.10
<input type="checkbox"/>	1/2	1/2	1.10	1.02	0.39	1.14	0.12	0.30	0.08
<input type="checkbox"/>	3/4	3/4	1.34	1.24	0.41	1.26	0.12	0.35	0.08
<input type="checkbox"/>	1	1	1.69	1.61	0.55	1.46	0.16	0.39	0.10
<input type="checkbox"/>	1 1/4	1 1/4	2.01	1.89	0.63	1.71	0.20	0.43	0.10
<input type="checkbox"/>	1 1/2	1 1/2	2.32	2.22	0.61	1.89	0.20	0.47	0.10
<input type="checkbox"/>	2	2	2.83	2.68	0.71	2.19	0.22	0.51	0.10
<input type="checkbox"/>	2 1/2	2 1/2	3.54	3.39	0.87	2.64	0.35	0.55	0.12
<input type="checkbox"/>	3	3	4.17	4.02	0.94	3.03	0.39	0.59	0.14
<input type="checkbox"/>	4	4	5.20	5.00	1.02	3.78	0.33	0.65	0.14

Thread Pattern conform to ANSI / ASME B1.20.1, NPT  
 No Lead  
 Stainless Wrought Fittings conform To ASTM A182, Barstock to ASTM A479

**Class 150 # - CAST FITTINGS, ASTM A351 -  
Regular Pattern**

**90° ELBOW - STREET**



- Grade:  T304/CF8  T316/CF8M  
 Connection:  Threaded  
 Source:  Import  Domestic

**DIMENSIONS**

UOM: Inches/LBS

SELECT	SIZE	d1	d2	d3	C	E	H	D1	D2	D3	C1	E1	I
<input type="checkbox"/>	1/8	1/8	0.59	0.47	0.28	0.71	0.20	1/8	0.20	0.35	0.31	1.02	0.08
<input type="checkbox"/>	1/4	1/4	0.71	0.59	0.41	0.87	0.20	1/4	0.24	0.47	0.43	1.22	0.08
<input type="checkbox"/>	3/8	3/8	0.89	0.79	0.41	0.87	0.24	3/8	0.35	0.55	0.43	1.54	0.08
<input type="checkbox"/>	1/2	1/2	1.10	1.02	0.39	1.06	0.31	1/2	0.55	0.75	0.51	1.61	0.08
<input type="checkbox"/>	3/4	3/4	1.42	1.30	0.47	1.30	0.35	3/4	0.79	0.98	0.51	1.85	0.08
<input type="checkbox"/>	1	1	1.77	1.65	0.55	1.46	0.35	1	0.98	1.22	0.73	2.09	0.08
<input type="checkbox"/>	1 1/4	1 1/4	2.05	1.97	0.67	1.73	0.43	1 1/4	1.30	1.56	0.75	2.48	0.10
<input type="checkbox"/>	1 1/2	1 1/2	2.36	2.24	0.67	1.85	0.43	1 1/2	1.57	1.83	0.75	2.72	0.10
<input type="checkbox"/>	2	2	2.87	2.72	0.71	2.32	0.51	2	1.97	2.24	0.85	3.15	0.10
<input type="checkbox"/>	2 1/2	2 1/2	3.54	3.39	0.91	2.60	0.59	2 1/2	2.24	2.60	0.94	4.13	0.16
<input type="checkbox"/>	3	3	4.17	3.98	0.94	3.09	0.65	3	2.91	3.19	1.14	4.45	0.16
<input type="checkbox"/>	4	4	5.14	5.04	1.02	3.86	0.77	4	3.82	4.17	1.34	5.12	0.16

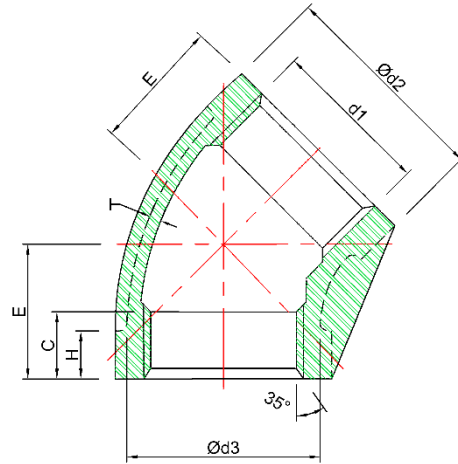
Thread Pattern conform to ANSI / ASME B1.20.1, NPT  
 No Lead  
 Stainless Wrought Fittings conform To ASTM A182, Barstock to ASTM A479

Project Name: \_\_\_\_\_  
 Job #: \_\_\_\_\_

150# CAST  
 A351  
 (45 Ell)

## Class 150 # - CAST FITTINGS, ASTM A351 - Regular Pattern

### 45° ELBOW



- Grade:  T304/CF8  T316/CF8M  
 Connection:  Threaded  
 Source:  Import  Domestic

## DIMENSIONS

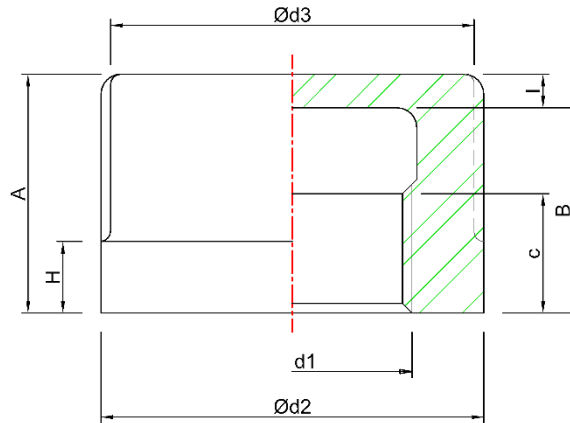
UOM: Inches/LBS

SELECT	SIZE	d1	d2	d3	C	E	H	I
<input type="checkbox"/>	1/8	1/8	0.63	0.53	0.24	0.63	0.24	0.08
<input type="checkbox"/>	1/4	1/4	0.75	0.61	0.37	0.67	0.26	0.08
<input type="checkbox"/>	3/8	3/8	0.89	0.77	0.38	0.75	0.24	0.08
<input type="checkbox"/>	1/2	1/2	1.18	1.10	0.39	0.83	0.31	0.10
<input type="checkbox"/>	3/4	3/4	1.42	1.34	0.43	0.94	0.39	0.10
<input type="checkbox"/>	1	1	1.77	1.57	0.55	1.10	0.39	0.10
<input type="checkbox"/>	1 1/4	1 1/4	2.22	1.91	0.61	1.30	0.43	0.10
<input type="checkbox"/>	1 1/2	1 1/2	2.30	2.20	0.61	1.42	0.49	0.10
<input type="checkbox"/>	2	2	2.83	2.68	0.65	1.65	0.51	0.10
<input type="checkbox"/>	2 1/2	2 1/2	3.54	3.43	0.87	1.93	0.55	0.16
<input type="checkbox"/>	3	3	4.17	4.00	0.98	2.13	0.59	0.16
<input type="checkbox"/>	4	4	6.24	4.25	0.98	2.56	0.59	0.16

Thread Pattern conform to ANSI / ASME B1.20.1, NPT  
 No Lead  
 Stainless Wrought Fittings conform To ASTM A182, Barstock to ASTM A479

**Class 150 # - CAST FITTINGS, ASTM A351 -  
Regular Pattern**

**ROUND CAPS**



- Grade:  T304/CF8  T316/CF8M  
 Connection:  Threaded  Socket weld  
 Source:  Import  Domestic

**DIMENSIONS**

UOM: Inches/LBS

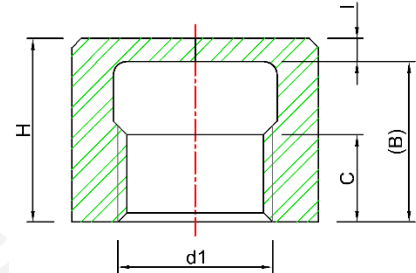
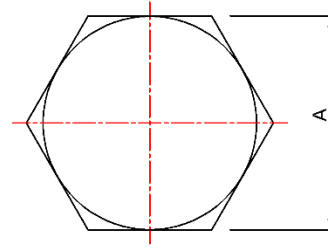
SELECT	SIZE	d1	d2	d3	A	(B)	C	H	I
<input type="checkbox"/>	1/8	1/8	0.63	0.53	0.59	0.47	0.24	0.26	0.12
<input type="checkbox"/>	1/4	1/4	0.79	0.71	0.87	0.75	0.37	0.26	0.12
<input type="checkbox"/>	3/8	3/8	1.00	0.93	0.96	0.87	0.38	0.30	0.10
<input type="checkbox"/>	1/2	1/2	1.18	1.10	1.10	0.98	0.39	0.30	0.12
<input type="checkbox"/>	3/4	3/4	1.42	1.30	1.10	0.98	0.39	0.33	0.12
<input type="checkbox"/>	1	1	1.75	1.63	1.26	1.14	0.55	0.35	0.12
<input type="checkbox"/>	1 1/4	1 1/4	2.09	1.97	1.28	1.12	0.65	0.43	0.16
<input type="checkbox"/>	1 1/2	1 1/2	2.36	2.24	1.42	1.22	0.65	0.43	0.20
<input type="checkbox"/>	2	2	2.91	2.76	1.54	1.34	0.71	0.47	0.20
<input type="checkbox"/>	2 1/2	2 1/2	3.58	3.39	1.69	1.54	0.87	0.55	0.24
<input type="checkbox"/>	3	3	4.33	4.09	1.87	1.63	0.91	0.55	0.24
<input type="checkbox"/>	4	4	5.47	5.24	2.05	1.77	1.02	0.59	0.24

Thread Pattern conform to ANSI / ASME B1.20.1, NPT  
 No Lead  
 Stainless Wrought Fittings conform To ASTM A182, Barstock to ASTM A479

Project Name: \_\_\_\_\_  
Job #: \_\_\_\_\_

**Class 150 # - CAST FITTINGS, ASTM A351 -  
Regular Pattern**

**HEX CAPS**



- Grade:  T304/CF8     T316/CF8M  
 Connection:  Threaded  
 Source:  Import     Domestic

**DIMENSIONS**

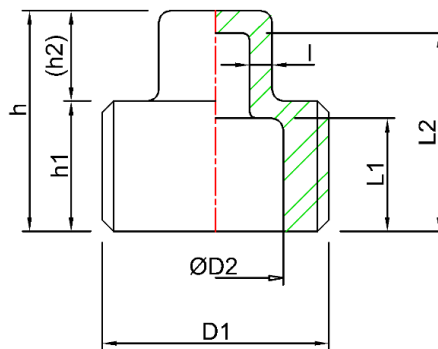
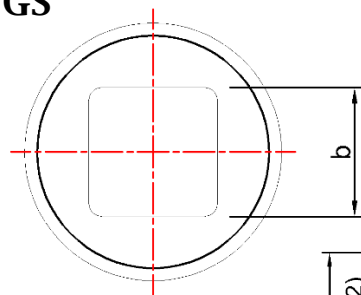
UOM: Inches/LBS

SELECT	SIZE	d1	A	(B)	C	H	I
<input type="checkbox"/>	1/8	1/8	0.63	0.51	0.24	0.63	0.12
<input type="checkbox"/>	1/4	1/4	0.71	0.67	0.37	0.79	0.12
<input type="checkbox"/>	3/8	3/8	0.79	0.71	0.38	0.83	0.12
<input type="checkbox"/>	1/2	1/2	1.02	0.77	0.39	0.89	0.12
<input type="checkbox"/>	3/4	3/4	1.26	0.79	0.39	0.91	0.12
<input type="checkbox"/>	1	1	1.54	0.91	0.53	1.02	0.12
<input type="checkbox"/>	1 1/4	1 1/4	1.93	0.96	0.63	1.12	0.16
<input type="checkbox"/>	1 1/2	1 1/2	2.17	1.10	0.67	1.26	0.16
<input type="checkbox"/>	2	2	2.60	1.26	0.91	1.38	0.12
<input type="checkbox"/>	2 1/2	2 1/2	3.35	1.42	0.91	1.65	0.24
<input type="checkbox"/>	3	3	3.94	1.61	0.98	1.79	0.24
<input type="checkbox"/>	4	4	4.92	1.93	1.02	2.17	0.24

Thread Pattern conform to ANSI / ASME B1.20.1, NPT  
 No Lead  
 Stainless Wrought Fittings conform To ASTM A182, Barstock to ASTM A479

**Class 150 # - CAST FITTINGS, ASTM A351 -  
Regular Pattern**

**SQUARE HEAD PLUGS**



- Grade:  T304/CF8  T316/CF8M  
 Connection:  Threaded  
 Source:  Import  Domestic

**DIMENSIONS**

UOM: Inches/LBS

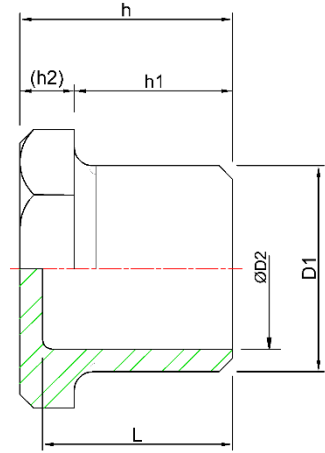
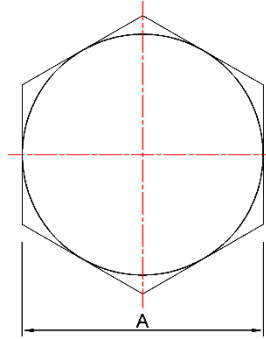
SELECT	SIZE	b	D1	D2	L1	L2	h	h1	(h2)	I
<input type="checkbox"/>	1/8	0.28	1/8	----	----	----	0.71	0.39	0.31	----
<input type="checkbox"/>	1/4	0.35	1/4	----	----	----	0.75	0.39	0.35	----
<input type="checkbox"/>	3/8	0.39	3/8	----	----	----	0.79	0.43	0.35	----
<input type="checkbox"/>	1/2	0.51	1/2	0.57	0.47	0.83	0.91	0.51	0.39	0.10
<input type="checkbox"/>	3/4	0.71	3/4	0.71	0.57	1.02	1.18	0.71	0.47	0.10
<input type="checkbox"/>	1	0.75	1	0.98	0.71	1.22	1.30	0.83	0.47	0.10
<input type="checkbox"/>	1 1/4	0.91	1 1/4	1.34	0.75	1.42	1.54	0.91	0.63	0.10
<input type="checkbox"/>	1 1/2	1.02	1 1/2	1.54	0.83	1.42	1.57	0.91	0.67	0.10
<input type="checkbox"/>	2	1.14	2	1.97	0.91	1.65	1.77	1.02	0.75	0.10
<input type="checkbox"/>	2 1/2	1.57	2 1/2	2.36	0.94	1.61	1.89	1.10	0.79	0.12
<input type="checkbox"/>	3	1.73	3	2.95	1.06	1.97	2.13	1.26	0.87	0.12
<input type="checkbox"/>	4	2.32	4	3.98	1.22	2.17	2.32	1.46	0.87	0.12

Thread Pattern conform to ANSI / ASME B1.20.1, NPT  
 No Lead  
 Stainless Wrought Fittings conform To ASTM A182, Barstock to ASTM A479

Project Name: \_\_\_\_\_  
Job #: \_\_\_\_\_

**Class 150 # - CAST FITTINGS, ASTM A351 -  
Regular Pattern**

**HEX HEAD PLUGS**



- Grade:      T304/CF8      T316/CF8M  
 Connection:  Threaded  
 Source:      Import            Domestic

**DIMENSIONS**

UOM: Inches/LBS

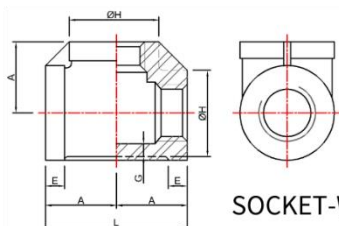
SELECT	SIZE	D1	D2	L	A	h	h1	(h2)
<input type="checkbox"/>	1/8	1/8	-----	-----	0.55	0.71	0.43	0.24
<input type="checkbox"/>	1/4	1/4	-----	-----	0.67	0.91	0.67	0.24
<input type="checkbox"/>	3/8	3/8	0.35	0.81	0.83	0.93	0.67	0.26
<input type="checkbox"/>	1/2	1/2	0.57	0.98	1.02	1.10	0.79	0.31
<input type="checkbox"/>	3/4	3/4	0.71	0.98	1.26	1.10	0.79	0.31
<input type="checkbox"/>	1	1	1.02	1.18	1.50	1.34	0.98	0.35
<input type="checkbox"/>	1 1/4	1 1/4	1.34	1.22	1.81	1.38	0.98	0.39
<input type="checkbox"/>	1 1/2	1 1/2	1.52	1.30	2.05	1.42	0.98	0.43
<input type="checkbox"/>	2	2	1.97	1.34	2.56	1.48	1.02	0.45
<input type="checkbox"/>	2 1/2	2 1/2	2.36	1.38	3.15	1.57	1.10	0.47
<input type="checkbox"/>	3	3	2.95	1.54	3.74	1.77	1.26	0.51
<input type="checkbox"/>	4	4	3.94	1.77	4.72	2.01	1.46	0.55

Thread Pattern conform to ANSI / ASME B1.20.1, NPT  
 No Lead  
 Stainless Wrought Fittings conform To ASTM A182, Barstock to ASTM A479

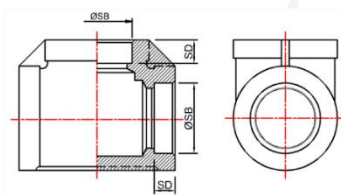
Project Name: \_\_\_\_\_  
Job #: \_\_\_\_\_

## Class 150# - CAST FITTINGS, ASTM A351 - MSS SP114 Heavy Pattern

### HEAVY PATTERN TEE



SOCKET-WELD END



THREAD END

- Grade:  T304/CF8  T316/CF8M  
 Connection:  Threaded  Socket weld  
 Source:  Import  Domestic

## DIMENSIONS

UOM: Inches/LBS

SELECT	SIZE	A	E	G	H	L	SB	SD
<input type="checkbox"/>	1/8	0.81	0.20	0.09	0.75	1.62	0.43	0.39
<input type="checkbox"/>	1/4	0.81	0.20	0.09	0.84	1.62	0.56	0.39
<input type="checkbox"/>	3/8	0.93	0.21	0.10	1.01	1.86	0.69	0.39
<input type="checkbox"/>	1/2	1.12	0.25	0.10	1.20	2.24	0.85	0.39
<input type="checkbox"/>	3/4	1.31	0.27	0.12	1.46	2.62	1.07	0.51
<input type="checkbox"/>	1	1.50	0.30	0.13	1.77	3.00	1.33	0.51
<input type="checkbox"/>	1 1/4	1.75	0.34	0.14	2.15	3.50	1.68	0.51
<input type="checkbox"/>	1 1/2	1.93	0.37	0.15	2.43	3.86	1.92	0.51
<input type="checkbox"/>	2	2.25	0.42	0.17	2.96	4.50	2.41	0.63
<input type="checkbox"/>	2 1/2	2.68	0.48	0.21	3.31	5.36	2.91	0.63
<input type="checkbox"/>	3	3.06	0.55	0.23	4.00	6.12	3.54	0.63
<input type="checkbox"/>	4	3.81	0.66	0.26	5.06	7.62	4.55	0.75

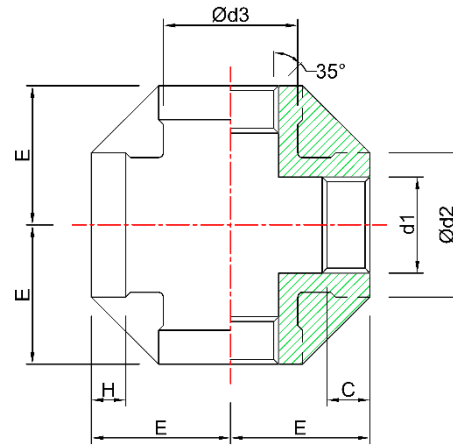
Thread Pattern conform to ANSI / ASME B1.20.1, NPT  
 Stainless Castings conform to ASTM A351  
 Stainless Wrought Fittings conform To ASTM A182, Barstock to ASTM A479  
 Manufactured in accordance to ISO 9001: 2000

Project Name: \_\_\_\_\_  
 Job #: \_\_\_\_\_

150# CAST  
 A351  
 (CROSS)

**Class 150 # - CAST FITTINGS, ASTM A351 -  
 Regular Pattern**

**CROSSES**



- Grade:  T304/CF8  T316/CF8M  
 Connection:  Threaded  
 Source:  Import  Domestic

**DIMENSIONS**

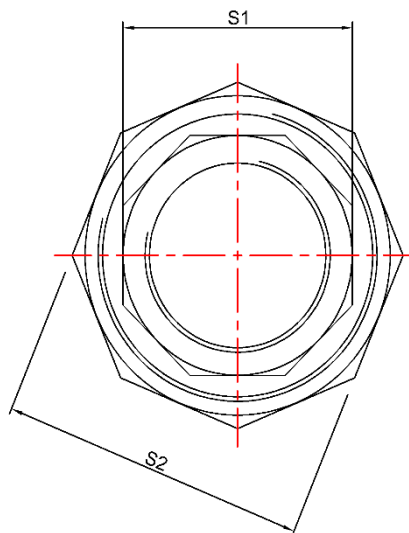
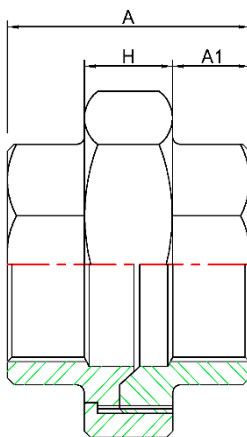
UOM: Inches/LBS

SELECT	SIZE	d1	d2	d3	C	E	H
<input type="checkbox"/>	1/8	1/8	0.63	0.55	0.24	0.69	0.24
<input type="checkbox"/>	1/4	1/4	0.79	0.71	0.37	0.75	0.28
<input type="checkbox"/>	3/8	3/8	0.98	0.91	0.38	0.91	0.28
<input type="checkbox"/>	1/2	1/2	1.18	1.10	0.39	1.14	0.28
<input type="checkbox"/>	3/4	3/4	1.42	1.34	0.43	1.28	0.35
<input type="checkbox"/>	1	1	1.77	1.65	0.55	1.48	0.39
<input type="checkbox"/>	1 1/4	1 1/4	2.09	1.97	0.71	1.73	0.43
<input type="checkbox"/>	1 1/2	1 1/2	2.36	2.20	0.71	1.89	0.47
<input type="checkbox"/>	2	2	2.87	2.76	0.71	2.32	0.51
<input type="checkbox"/>	2 1/2	2 1/2	3.54	3.39	0.87	2.68	0.55
<input type="checkbox"/>	3	3	4.17	4.02	0.98	3.07	0.59
<input type="checkbox"/>	4	4	5.20	5.04	1.02	3.82	0.63

Thread Pattern conform to ANSI / ASME B1.20.1, NPT  
 No Lead  
 Stainless Wrought Fittings conform To ASTM A182, Barstock to ASTM A479

**Class 150 # - CAST FITTINGS, ASTM A351 -  
Regular Pattern**

**UNION - THREADED**



- Grade:  T304/CF8  T316/CF8M  
 Connection:  Threaded  
 Source:  Import  Domestic

**DIMENSIONS**

UOM: Inches/LBS

SELECT	SIZE	A	A1	H	S1	S2
<input type="checkbox"/>	1/8	1.46	0.47	0.59	0.71	1.14
<input type="checkbox"/>	1/4	1.46	0.47	0.59	0.71	1.14
<input type="checkbox"/>	3/8	1.54	0.47	0.63	0.91	1.42
<input type="checkbox"/>	1/2	1.61	0.51	0.59	1.06	1.61
<input type="checkbox"/>	3/4	1.65	0.63	0.63	1.26	1.93
<input type="checkbox"/>	1	2.01	0.67	0.71	1.61	2.28
<input type="checkbox"/>	1 1/4	2.05	0.63	0.83	1.97	2.68
<input type="checkbox"/>	1 1/2	2.20	0.71	0.87	2.20	3.03
<input type="checkbox"/>	2	2.36	0.71	0.98	2.72	3.62
<input type="checkbox"/>	2 1/2	2.95	1.02	0.98	3.35	4.29
<input type="checkbox"/>	3	3.50	1.18	1.14	3.90	4.92
<input type="checkbox"/>	4	3.90	1.26	1.34	4.92	6.14

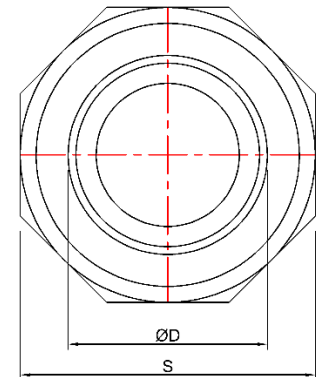
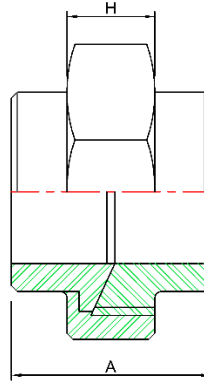
Thread Pattern conform to ANSI / ASME B1.20.1, NPT  
 No Lead  
 Stainless Wrought Fittings conform To ASTM A182, Barstock to ASTM A479

Project Name: \_\_\_\_\_  
 Job #: \_\_\_\_\_

150# CAST  
 A351  
 (Uni)

**Class 150 # - CAST FITTINGS, ASTM A351 -  
 Regular Pattern**

**UNION - SOCKET WELD**



- Grade:  T304/CF8  T316/CF8M  
 Connection:  Socket weld  
 Source:  Import  Domestic

**DIMENSIONS**

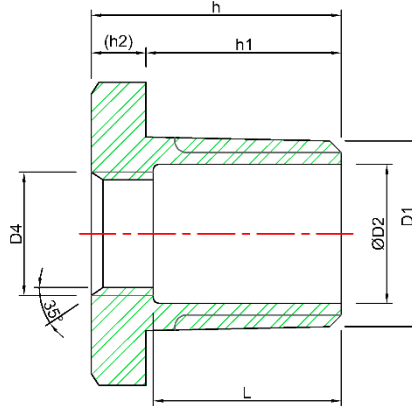
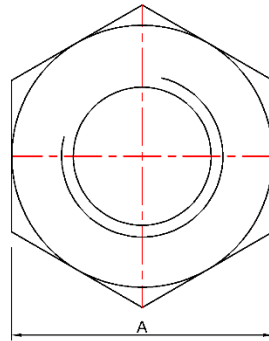
UOM: Inches/LBS

SELECT	SIZE	A	D	S	H
<input type="checkbox"/>	1/4	1.26	0.54	1.14	0.55
<input type="checkbox"/>	3/8	1.50	0.68	1.42	0.55
<input type="checkbox"/>	1/2	1.57	0.85	1.61	0.55
<input type="checkbox"/>	3/4	1.85	1.07	1.93	0.55
<input type="checkbox"/>	1	1.95	1.34	2.58	0.71
<input type="checkbox"/>	1 1/4	2.13	1.69	2.67	0.75
<input type="checkbox"/>	1 1/2	2.24	1.91	3.02	0.83
<input type="checkbox"/>	2	2.36	2.39	3.60	0.94
<input type="checkbox"/>	2 1/2	2.76	3.00	4.29	0.94
<input type="checkbox"/>	3	3.19	3.51	4.92	1.10

Thread Pattern conform to ANSI / ASME B1.20.1, NPT  
 No Lead  
 Stainless Wrought Fittings conform To ASTM A182, Barstock to ASTM A479

**Class 150 # - CAST FITTINGS, ASTM A351 -  
Regular Pattern**

**HEX BUSHINGS**



- Grade:  T304/CF8  T316/CF8M  
 Connection:  Threaded  
 Source:  Import  Domestic

**DIMENSIONS**

UOM: Inches/LBS

SELECT	SIZE	A	L	D1	D2	D4	h	h1	(h2)
<input type="checkbox"/>	1/4 x 1/8	0.67	0.59	1/4	0.33	1/8	0.89	0.67	0.22
<input type="checkbox"/>	3/8 x 1/8	0.87	0.59	3/8	0.43	1/8	0.91	0.67	0.24
<input type="checkbox"/>	3/8 x 1/4	0.87	----	3/8	0.43	1/4	0.91	0.67	0.24
<input type="checkbox"/>	1/2 x 1/8	1.02	0.67	1/2	0.57	1/8	1.00	0.79	0.22
<input type="checkbox"/>	1/2 x 1/4	1.02	0.67	1/2	0.57	1/4	1.00	0.79	0.22
<input type="checkbox"/>	1/2 x 3/8	1.02	----	1/2	0.57	3/8	1.00	0.79	0.22
<input type="checkbox"/>	3/4 x 1/8	1.26	0.69	3/4	0.71	1/8	1.04	0.79	0.26
<input type="checkbox"/>	3/4 x 1/4	1.26	0.69	3/4	0.71	1/4	1.04	0.79	0.26
<input type="checkbox"/>	3/4 x 3/8	1.26	0.69	3/4	0.71	3/8	1.04	0.79	0.26
<input type="checkbox"/>	3/4 x 1/2	1.26	----	3/4	0.71	1/2	1.04	0.79	0.26
<input type="checkbox"/>	1 x 1/8	1.50	0.96	1	1.02	1/8	1.32	1.00	0.31
<input type="checkbox"/>	1 x 1/4	1.50	0.96	1	1.02	1/4	1.32	1.00	0.31
<input type="checkbox"/>	1 x 3/8	1.50	0.96	1	1.02	3/8	1.32	1.00	0.31
<input type="checkbox"/>	1 x 1/2	1.50	0.87	1	1.02	1/2	1.32	1.00	0.31
<input type="checkbox"/>	1 x 3/4	1.50	0.81	1	1.02	3/4	1.32	1.00	0.31
<input type="checkbox"/>	1 1/4 x 1/8	1.81	1.02	1 1/4	13.8	1/8	1.34	1.02	0.31
<input type="checkbox"/>	1 1/4 x 1/4	1.81	0.96	1 1/4	13.8	1/4	1.34	1.02	0.31
<input type="checkbox"/>	1 1/4 x 3/8	1.81	0.96	1 1/4	13.8	3/8	1.34	1.02	0.31
<input type="checkbox"/>	1 1/4 x 1/2	1.81	0.91	1 1/4	13.8	1/2	1.34	1.02	0.31
<input type="checkbox"/>	1 1/4 x 3/4	1.81	0.83	1 1/4	13.8	3/4	1.34	1.02	0.31
<input type="checkbox"/>	1 1/4 x 1	1.81	0.77	1 1/4	13.8	1	1.34	1.02	0.31

Thread Pattern conform to ANSI / ASME B1.20.1, NPT  
 No Lead  
 Stainless Wrought Fittings conform To ASTM A182, Barstock to ASTM A479

Project Name: \_\_\_\_\_  
 Job #: \_\_\_\_\_

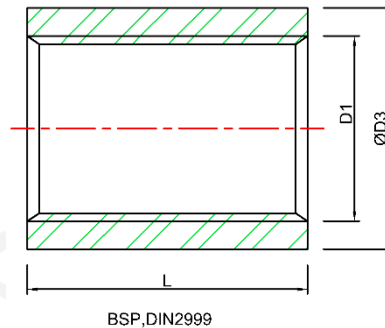
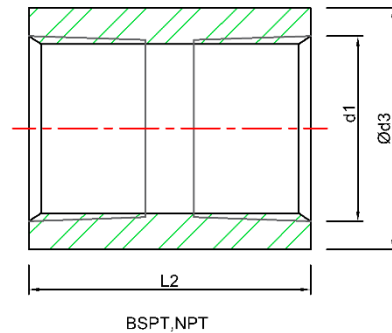
150# CAST  
 A351  
 (H Bush)

SELECT	SIZE	A	L	D1	D2	D4	h	h1	(h2)
<input type="checkbox"/>	1 1/2 x 1/8	2.05	1.06	1 1/2	1.57	1/8	1.42	1.02	0.39
<input type="checkbox"/>	1 1/2 x 1/4	2.05	1.06	1 1/2	1.57	1/4	1.42	1.02	0.39
<input type="checkbox"/>	1 1/2 x 3/8	2.05	1.02	1 1/2	1.57	3/8	1.42	1.02	0.39
<input type="checkbox"/>	1 1/2 x 1/2	2.05	0.94	1 1/2	1.57	1/2	1.42	1.02	0.39
<input type="checkbox"/>	1 1/2 x 3/4	2.05	0.91	1 1/2	1.57	3/4	1.42	1.02	0.39
<input type="checkbox"/>	1 1/2 x 1	2.05	0.83	1 1/2	1.57	1	1.42	1.02	0.39
<input type="checkbox"/>	1 1/2 x 1 1/4	2.05	0.73	1 1/2	1.57	1 1/4	1.42	1.02	0.39
<input type="checkbox"/>	2 x 1/8	2.48	1.10	2	2.01	1/8	1.42	1.00	0.41
<input type="checkbox"/>	2 x 1/4	2.48	1.06	2	2.01	1/4	1.42	1.00	0.41
<input type="checkbox"/>	2 x 3/8	2.48	1.06	2	2.01	3/8	1.42	1.00	0.41
<input type="checkbox"/>	2 x 1/2	2.48	0.98	2	2.01	1/2	1.42	1.00	0.41
<input type="checkbox"/>	2 x 3/4	2.48	0.91	2	2.01	3/4	1.42	1.00	0.41
<input type="checkbox"/>	2 x 1	2.48	0.87	2	2.01	1	1.42	1.00	0.41
<input type="checkbox"/>	2 x 1 1/4	2.48	0.79	2	2.01	1 1/4	1.42	1.00	0.41
<input type="checkbox"/>	2 x 1 1/2	2.48	0.79	2	2.01	1 1/2	1.42	1.00	0.41
<input type="checkbox"/>	2 1/2 x 1/2	3.15	1.52	2 1/2	2.48	1/2	1.93	1.46	0.47
<input type="checkbox"/>	2 1/2 x 3/4	3.15	1.44	2 1/2	2.48	3/4	1.93	1.46	0.47
<input type="checkbox"/>	2 1/2 x 1	3.15	1.36	2 1/2	2.48	1	1.93	1.46	0.47
<input type="checkbox"/>	2 1/2 x 1 1/4	3.15	1.24	2 1/2	2.48	1 1/4	1.93	1.46	0.47
<input type="checkbox"/>	2 1/2 x 1 1/2	3.15	1.18	2 1/2	2.48	1 1/2	1.93	1.46	0.47
<input type="checkbox"/>	2 1/2 x 2	3.15	1.14	2 1/2	2.48	2	1.93	1.46	0.47
<input type="checkbox"/>	3 x 1/2	3.74	1.54	3	3.03	1/2	1.97	1.46	0.51
<input type="checkbox"/>	3 x 3/4	3.74	1.46	3	3.03	3/4	1.97	1.46	0.51
<input type="checkbox"/>	3 x 1	3.74	1.38	3	3.03	1	1.97	1.46	0.51
<input type="checkbox"/>	3 x 1 1/4	3.74	1.26	3	3.03	1 1/4	1.97	1.46	0.51
<input type="checkbox"/>	3 x 1 1/2	3.74	1.22	3	3.03	1 1/2	1.97	1.46	0.51
<input type="checkbox"/>	3 x 2	3.74	1.18	3	3.03	2	1.97	1.46	0.51
<input type="checkbox"/>	3 x 2 1/2	3.74	1.02	3	3.03	2 1/2	1.97	1.46	0.51
<input type="checkbox"/>	4 x 1/2	4.72	1.57	4	3.98	1/2	2.01	1.46	0.55
<input type="checkbox"/>	4 x 3/4	4.72	1.52	4	3.98	3/4	2.01	1.46	0.55
<input type="checkbox"/>	4 x 1	4.72	1.42	4	3.98	1	2.01	1.46	0.55
<input type="checkbox"/>	4 x 1 1/4	4.72	1.32	4	3.98	1 1/4	2.01	1.46	0.55
<input type="checkbox"/>	4 x 1 1/2	4.72	1.26	4	3.98	1 1/2	2.01	1.46	0.55
<input type="checkbox"/>	4 x 2	4.72	1.22	4	3.98	2	2.01	1.46	0.55
<input type="checkbox"/>	4 x 2 1/2	4.72	1.10	4	3.98	2 1/2	2.01	1.46	0.55
<input type="checkbox"/>	4 x 3	4.72	1.02	4	3.98	3	2.01	1.46	0.55

Thread Pattern conform to ANSI / ASME B1.20.1, NPT  
 No Lead  
 Stainless Wrought Fittings conform To ASTM A182, Barstock to ASTM A479

## Class 150 # - CAST FITTINGS, ASTM A351 - Regular Pattern

### COUPLINGS



- Grade:  T304/CF8  T316/CF8M  
 Connection:  Threaded  
 Source:  Import  Domestic

### DIMENSIONS

UOM: Inches/LBS

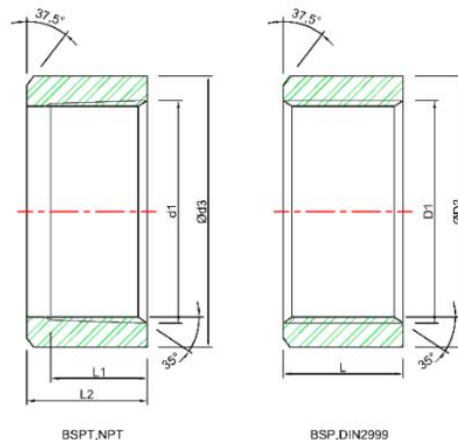
SELECT	SIZE	d1	BSPT., NPT		D1	BSP, D IN 2999	
			d3	L2		D3	L
<input type="checkbox"/>	1/8	1/8	0.55	0.79	1/8	0.55	0.79
<input type="checkbox"/>	1/4	1/4	0.73	1.06	1/4	0.73	0.98
<input type="checkbox"/>	3/8	3/8	0.85	1.10	3/8	0.85	1.02
<input type="checkbox"/>	1/2	1/2	1.04	1.42	1/2	1.04	1.34
<input type="checkbox"/>	3/4	3/4	1.26	1.54	3/4	1.26	1.42
<input type="checkbox"/>	1	1	1.56	1.69	1	1.56	1.69
<input type="checkbox"/>	1 1/4	1 1/4	1.91	1.89	1 1/4	1.91	1.89
<input type="checkbox"/>	1 1/2	1 1/2	2.15	1.89	1 1/2	2.15	1.89
<input type="checkbox"/>	2	2	2.62	2.20	2	2.62	2.20
<input type="checkbox"/>	2 1/2	2 1/2	3.31	2.56	2 1/2	3.31	2.56
<input type="checkbox"/>	3	3	3.94	2.80	3	3.74	2.80
<input type="checkbox"/>	4	4	5.08	3.27	4	4.80	3.27
<input type="checkbox"/>	5	5	6.36	3.54	----	----	----
<input type="checkbox"/>	6	6	7.28	3.96	----	----	----

Thread Pattern conform to ANSI / ASME B1.20.1, NPT  
 No Lead  
 Stainless Wrought Fittings conform To ASTM A182, Barstock to ASTM A479

Project Name: \_\_\_\_\_

Job #: \_\_\_\_\_

**Class 150 # - CAST FITTINGS, ASTM A351 -**  
**Regular Pattern**  
**HALF COUPLINGS**



- Grade:  T304/CF8  T316/CF8M  
 Connection:  Threaded  
 Source:  Import  Domestic

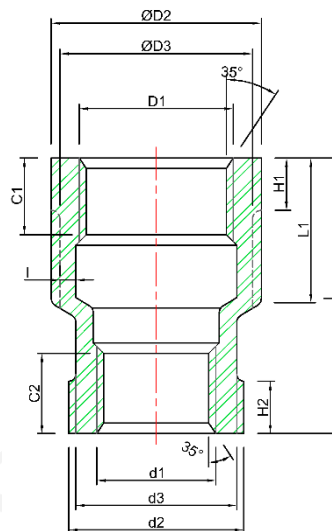
**DIMENSIONS**

UOM: Inches/LBS

SELECT	SIZE	d1	BSPT., NPT		D1	BSP, D IN 2999	
			d3	L2		D3	L
<input type="checkbox"/>	1/8	1/8	0.56	0.43	1/8	0.55	0.43
<input type="checkbox"/>	1/4	1/4	0.73	0.51	1/4	0.73	0.43
<input type="checkbox"/>	3/8	3/8	0.85	0.55	3/8	0.85	0.47
<input type="checkbox"/>	1/2	1/2	1.04	0.71	1/2	1.04	0.59
<input type="checkbox"/>	3/4	3/4	1.26	0.79	3/4	1.26	0.67
<input type="checkbox"/>	1	1	1.56	0.83	1	1.56	0.75
<input type="checkbox"/>	1 1/4	1 1/4	1.91	0.94	1 1/4	1.91	0.87
<input type="checkbox"/>	1 1/2	1 1/2	2.15	0.94	1 1/2	2.15	0.87
<input type="checkbox"/>	2	2	2.62	1.10	2	2.62	1.02
<input type="checkbox"/>	2 1/2	2 1/2	3.31	1.30	2 1/2	3.23	1.18
<input type="checkbox"/>	3	3	3.94	1.42	3	3.74	1.30
<input type="checkbox"/>	4	4	5.08	1.65	4	4.80	1.57

Thread Pattern conform to ANSI / ASME B1.20.1, NPT  
 No Lead  
 Stainless Wrought Fittings conform To ASTM A182, Barstock to ASTM A479

**Class 150 # - CAST FITTINGS, ASTM A351 -  
Regular Pattern**  
**REDUCING COUPLINGS**



- Grade:  T304/CF8  T316/CF8M  
 Connection:  Threaded  
 Source:  Import  Domestic

**DIMENSIONS**

UOM: Inches/LBS

SELECT	SIZE	D1	D2	D3	C1	H1	d1	d2	d3	C2	H2	L1	L	I
<input type="checkbox"/>	1/4 x 1/8	1/4	0.79	0.71	0.31	0.24	1/8	0.63	0.55	0.43	0.28	0.63	1.12	0.12
<input type="checkbox"/>	3/8 x 1/8	3/8	1.00	0.91	0.37	0.28	1/8	0.63	0.55	0.47	0.24	0.91	1.61	0.12
<input type="checkbox"/>	3/8 x 1/4	3/8	1.00	0.91	0.38	0.28	1/4	0.79	0.71	0.51	0.24	0.91	1.61	0.12
<input type="checkbox"/>	1/2 x 1/8	1/2	1.18	1.10	0.39	0.31	1/8	0.63	0.55	0.35	0.28	0.94	1.77	0.10
<input type="checkbox"/>	1/2 x 1/4	1/2	1.18	1.10	0.39	0.31	1/4	0.79	0.71	0.49	0.28	0.94	1.77	0.10
<input type="checkbox"/>	1/2 x 3/8	1/2	1.18	1.10	0.39	0.31	3/8	1.00	0.91	0.39	0.31	0.94	1.77	0.10
<input type="checkbox"/>	3/4 x 1/8	3/4	1.42	1.30	0.39	0.35	1/8	0.63	0.55	0.43	0.31	0.87	1.77	0.12
<input type="checkbox"/>	3/4 x 1/4	3/4	1.42	1.30	0.39	0.35	1/4	0.79	0.71	0.43	0.31	1.02	1.77	0.12
<input type="checkbox"/>	3/4 x 3/8	3/4	1.42	1.30	0.39	0.35	3/8	1.00	0.91	0.59	0.31	0.98	1.77	0.12
<input type="checkbox"/>	3/4 x 1/2	3/4	1.42	1.30	0.39	0.35	1/2	1.18	1.10	0.59	0.31	0.98	1.77	0.12
<input type="checkbox"/>	1 x 1/8	1	1.77	1.65	0.55	0.35	1/8	0.63	0.55	0.47	0.31	1.02	1.97	0.12
<input type="checkbox"/>	1 x 1/4	1	1.77	1.65	0.55	0.43	1/4	0.79	0.71	0.47	0.31	1.10	1.97	0.12
<input type="checkbox"/>	1 x 3/8	1	1.77	1.65	0.55	0.43	3/8	1.00	0.91	0.51	0.31	1.10	1.97	0.12
<input type="checkbox"/>	1 x 1/2	1	1.77	1.65	0.55	0.43	1/2	1.18	1.10	0.51	0.35	1.14	1.97	0.12
<input type="checkbox"/>	1 x 3/4	1	1.77	1.65	0.55	0.43	3/4	1.42	1.30	0.55	0.43	1.10	1.97	0.12
<input type="checkbox"/>	1 1/4 x 1/4	1 1/4	2.09	1.97	0.71	0.43	1/4	0.79	0.71	0.59	0.24	1.14	1.97	0.14
<input type="checkbox"/>	1 1/4 x 3/8	1 1/4	2.09	1.97	0.71	0.43	3/8	1.00	0.91	0.47	0.31	1.14	1.97	0.14
<input type="checkbox"/>	1 1/4 x 1/2	1 1/4	2.09	1.97	0.63	0.43	1/2	1.18	1.10	0.51	0.39	1.18	1.97	0.14
<input type="checkbox"/>	1 1/4 x 3/4	1 1/4	2.09	1.97	0.63	0.47	3/4	1.42	1.30	0.51	0.39	1.18	1.97	0.14
<input type="checkbox"/>	1 1/4 x 1	1 1/4	2.09	1.97	0.63	0.47	1	1.77	1.61	0.71	0.43	1.18	1.97	0.14

Thread Pattern conform to ANSI / ASME B1.20.1, NPT  
 No Lead  
 Stainless Wrought Fittings conform To ASTM A182, Barstock to ASTM A479

Project Name: \_\_\_\_\_  
 Job #: \_\_\_\_\_

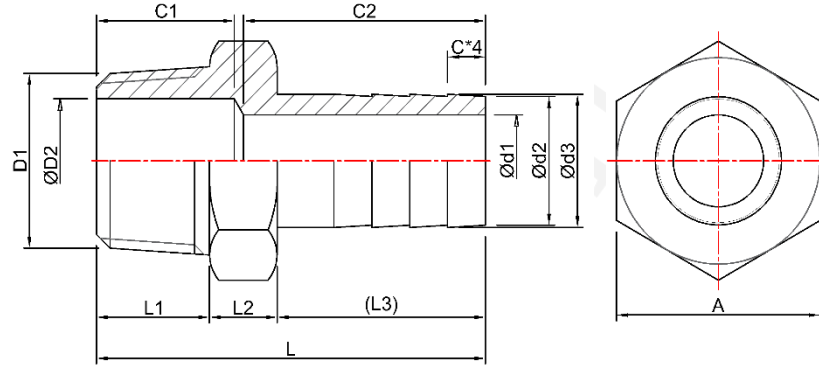
150# CAST  
 A351  
 (Red Cplg)

SELECT	SIZE	D1	D2	D3	C1	H1	d1	d2	d3	C2	H2	L1	L	I
<input type="checkbox"/>	1 1/2 x 1/4	1 1/2	2.36	2.22	0.71	0.47	1/4	0.79	0.71	0.71	0.24	1.22	2.24	0.14
<input type="checkbox"/>	1 1/2 x 3/8	1 1/2	2.36	2.22	0.71	0.47	3/8	1.00	0.91	0.71	0.31	1.22	2.24	0.14
<input type="checkbox"/>	1 1/2 x 1/2	1 1/2	2.36	2.22	0.63	0.47	1/2	1.18	1.10	0.57	0.35	1.22	2.24	0.14
<input type="checkbox"/>	1 1/2 x 3/4	1 1/2	2.36	2.22	0.63	0.47	3/4	1.42	1.30	0.61	0.39	1.22	2.24	0.14
<input type="checkbox"/>	1 1/2 x 1	1 1/2	2.36	2.22	0.63	0.47	1	1.77	1.61	0.67	0.43	1.22	2.24	0.14
<input type="checkbox"/>	1 1/2 x 1 1/4	1 1/2	2.36	2.22	0.71	0.47	1 1/4	2.09	1.97	0.67	0.47	1.22	2.24	0.14
<input type="checkbox"/>	2 x 1/4	2	2.91	2.76	0.71	0.51	1/4	0.79	0.71	0.63	0.20	1.50	2.64	0.16
<input type="checkbox"/>	2 x 3/8	2	2.91	2.76	0.71	0.51	3/8	1.00	0.91	0.51	0.31	1.50	2.64	0.16
<input type="checkbox"/>	2 x 1/2	2	2.91	2.76	0.71	0.51	1/2	1.18	1.10	0.59	0.35	1.50	2.64	0.16
<input type="checkbox"/>	2 x 3/4	2	2.91	2.76	0.71	0.51	3/4	1.42	1.30	0.69	0.39	1.50	2.64	0.16
<input type="checkbox"/>	2 x 1	2	2.91	2.76	0.63	0.51	1	1.77	1.61	0.67	0.43	1.50	2.64	0.16
<input type="checkbox"/>	2 x 1 1/4	2	2.91	2.76	0.71	0.51	1 1/4	2.09	1.97	0.67	0.47	1.50	2.64	0.16
<input type="checkbox"/>	2 x 1 1/2	2	2.91	2.76	0.71	0.55	1 1/2	2.36	2.22	0.59	0.47	1.57	2.64	0.16
<input type="checkbox"/>	2 1/2 x 3/4	2 1/2	3.54	3.39	0.91	0.55	3/4	1.42	1.30	0.75	0.35	1.69	2.99	0.26
<input type="checkbox"/>	2 1/2 x 1	2 1/2	3.54	3.39	0.91	0.55	1	1.77	1.61	0.75	0.43	1.69	2.99	0.26
<input type="checkbox"/>	2 1/2 x 1 1/4	2 1/2	3.54	3.39	0.91	0.55	1 1/4	2.09	1.97	0.87	0.47	1.69	2.99	0.26
<input type="checkbox"/>	2 1/2 x 1 1/2	2 1/2	3.54	3.39	0.91	0.55	1 1/2	2.36	2.22	0.91	0.47	1.69	2.99	0.26
<input type="checkbox"/>	2 1/2 x 2	2 1/2	3.54	3.39	0.91	0.55	2	2.91	2.76	0.87	0.55	1.69	2.99	0.26
<input type="checkbox"/>	3 X 1/2	----	----	----	----	----	----	----	----	----	----	----	----	----
<input type="checkbox"/>	3 x 3/4	3	4.29	4.09	0.94	0.59	3/4	1.42	1.30	0.55	0.39	1.93	3.35	0.26
<input type="checkbox"/>	3 x 1	3	4.29	4.09	0.94	0.59	1	1.77	1.61	0.63	0.43	1.93	3.31	0.26
<input type="checkbox"/>	3 x 1 1/4	3	4.29	4.09	0.94	0.59	1 1/4	2.09	1.97	0.75	0.47	1.93	3.31	0.26
<input type="checkbox"/>	3 x 1 1/2	3	4.29	4.09	0.94	0.63	1 1/2	2.36	2.22	0.79	0.51	1.93	3.35	0.26
<input type="checkbox"/>	3 x 2	3	4.29	4.09	0.94	0.59	2	2.91	2.76	0.79	0.51	1.69	3.31	0.26
<input type="checkbox"/>	3 x 2 1/2	3	4.29	4.09	0.94	0.59	2 1/2	3.54	3.39	1.02	0.65	1.93	3.27	0.26
<input type="checkbox"/>	4 x 1	4	5.43	5.20	0.98	0.63	1	1.77	1.61	0.94	0.43	2.17	3.82	0.26
<input type="checkbox"/>	4 x 1 1/4	4	5.43	5.20	0.98	0.63	1 1/4	2.09	1.97	0.87	0.47	2.09	3.74	0.26
<input type="checkbox"/>	4 x 1 1/2	4	5.43	5.20	0.98	0.63	1 1/2	2.36	2.22	0.94	0.51	2.09	3.74	0.26
<input type="checkbox"/>	4 x 2	4	5.43	5.20	0.98	0.63	2	2.91	2.76	0.94	0.55	2.09	3.82	0.26
<input type="checkbox"/>	4 x 2 1/2	4	5.43	5.20	0.98	0.63	2 1/2	3.54	3.39	1.14	0.59	2.09	3.78	0.26
<input type="checkbox"/>	4 x 3	4	5.43	5.20	0.98	0.63	3	4.29	4.09	0.98	0.63	2.17	3.86	0.26

Thread Pattern conform to ANSI / ASME B1.20.1, NPT  
 No Lead  
 Stainless Wrought Fittings conform To ASTM A182, Barstock to ASTM A479

**Class 150 # - CAST FITTINGS, ASTM A351 -  
Regular Pattern**

**HOSE NIPPLES**



- Grade:  T304/CF8  T316/CF8M  
 Connection:  Threaded  
 Source:  Import  Domestic

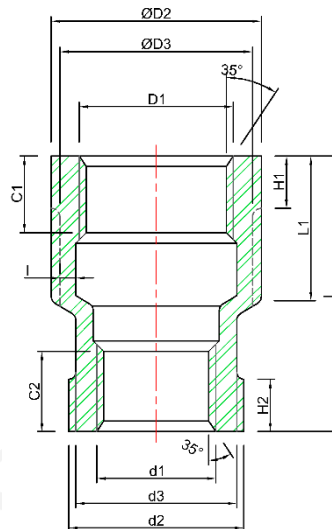
**DIMENSIONS**

UOM: Inches/LBS

SELECT	SIZE	A	D1	D2	C	C1	C2	L	L1	L2	(L3)	d1	d2	d3
<input type="checkbox"/>	1/4	0.63	1/4	0.26	0.16	0.67	1.10	1.83	0.51	0.39	0.93	0.20	0.31	0.35
<input type="checkbox"/>	3/8	0.75	3/8	0.37	0.22	0.71	1.30	2.24	0.51	0.39	1.12	0.26	0.39	0.43
<input type="checkbox"/>	1/2	0.98	1/2	0.57	0.26	0.75	1.61	2.46	0.61	0.39	1.46	0.57	0.53	0.57
<input type="checkbox"/>	3/4	1.22	3/4	0.71	0.33	0.91	1.89	2.85	0.71	0.45	1.69	0.57	0.77	0.81
<input type="checkbox"/>	1	1.50	1	1.02	0.35	0.98	2.17	3.23	0.77	0.49	1.97	0.79	1.00	1.05
<input type="checkbox"/>	1 1/4	1.81	1 1/4	1.38	0.37	1.10	1.89	3.15	0.89	0.49	2.09	1.06	1.28	1.34
<input type="checkbox"/>	1 1/2	2.05	1 1/2	1.57	0.41	1.22	2.28	3.64	0.91	0.53	2.20	1.30	1.52	1.59
<input type="checkbox"/>	2	2.56	2	2.03	0.51	1.30	2.91	4.31	0.96	0.59	2.76	1.77	1.99	2.07
<input type="checkbox"/>	2 1/2	3.15	2 1/2	2.64	0.63	1.46	3.74	5.35	1.06	0.63	3.66	2.08	2.44	2.52
<input type="checkbox"/>	3	3.78	3	3.07	0.67	1.69	3.94	5.79	1.30	0.67	3.82	2.76	2.95	3.07
<input type="checkbox"/>	4	4.72	4	4.02	0.83	1.89	4.13	6.22	1.42	0.71	4.09	3.54	3.98	4.09

Thread Pattern conform to ANSI / ASME B1.20.1, NPT  
 No Lead  
 Stainless Wrought Fittings conform To ASTM A182, Barstock to ASTM A479

**Class 150 # - CAST FITTINGS, ASTM A351 -  
Regular Pattern**  
**REDUCING COUPLINGS**



- Grade:  T304/CF8  T316/CF8M  
 Connection:  Threaded  
 Source:  Import  Domestic

**DIMENSIONS**

UOM: Inches/LBS

SELECT	SIZE	D1	D2	D3	C1	H1	d1	d2	d3	C2	H2	L1	L	I
<input type="checkbox"/>	1/4 x 1/8	1/4	0.79	0.71	0.31	0.24	1/8	0.63	0.55	0.43	0.28	0.63	1.12	0.12
<input type="checkbox"/>	3/8 x 1/8	3/8	1.00	0.91	0.37	0.28	1/8	0.63	0.55	0.47	0.24	0.91	1.61	0.12
<input type="checkbox"/>	3/8 x 1/4	3/8	1.00	0.91	0.38	0.28	1/4	0.79	0.71	0.51	0.24	0.91	1.61	0.12
<input type="checkbox"/>	1/2 x 1/8	1/2	1.18	1.10	0.39	0.31	1/8	0.63	0.55	0.35	0.28	0.94	1.77	0.10
<input type="checkbox"/>	1/2 x 1/4	1/2	1.18	1.10	0.39	0.31	1/4	0.79	0.71	0.49	0.28	0.94	1.77	0.10
<input type="checkbox"/>	1/2 x 3/8	1/2	1.18	1.10	0.39	0.31	3/8	1.00	0.91	0.39	0.31	0.94	1.77	0.10
<input type="checkbox"/>	3/4 x 1/8	3/4	1.42	1.30	0.39	0.35	1/8	0.63	0.55	0.43	0.31	0.87	1.77	0.12
<input type="checkbox"/>	3/4 x 1/4	3/4	1.42	1.30	0.39	0.35	1/4	0.79	0.71	0.43	0.31	1.02	1.77	0.12
<input type="checkbox"/>	3/4 x 3/8	3/4	1.42	1.30	0.39	0.35	3/8	1.00	0.91	0.59	0.31	0.98	1.77	0.12
<input type="checkbox"/>	3/4 x 1/2	3/4	1.42	1.30	0.39	0.35	1/2	1.18	1.10	0.59	0.31	0.98	1.77	0.12
<input type="checkbox"/>	1 x 1/8	1	1.77	1.65	0.55	0.35	1/8	0.63	0.55	0.47	0.31	1.02	1.97	0.12
<input type="checkbox"/>	1 x 1/4	1	1.77	1.65	0.55	0.43	1/4	0.79	0.71	0.47	0.31	1.10	1.97	0.12
<input type="checkbox"/>	1 x 3/8	1	1.77	1.65	0.55	0.43	3/8	1.00	0.91	0.51	0.31	1.10	1.97	0.12
<input type="checkbox"/>	1 x 1/2	1	1.77	1.65	0.55	0.43	1/2	1.18	1.10	0.51	0.35	1.14	1.97	0.12
<input type="checkbox"/>	1 x 3/4	1	1.77	1.65	0.55	0.43	3/4	1.42	1.30	0.55	0.43	1.10	1.97	0.12
<input type="checkbox"/>	1 1/4 x 1/4	1 1/4	2.09	1.97	0.71	0.43	1/4	0.79	0.71	0.59	0.24	1.14	1.97	0.14
<input type="checkbox"/>	1 1/4 x 3/8	1 1/4	2.09	1.97	0.71	0.43	3/8	1.00	0.91	0.47	0.31	1.14	1.97	0.14
<input type="checkbox"/>	1 1/4 x 1/2	1 1/4	2.09	1.97	0.63	0.43	1/2	1.18	1.10	0.51	0.39	1.18	1.97	0.14
<input type="checkbox"/>	1 1/4 x 3/4	1 1/4	2.09	1.97	0.63	0.47	3/4	1.42	1.30	0.51	0.39	1.18	1.97	0.14
<input type="checkbox"/>	1 1/4 x 1	1 1/4	2.09	1.97	0.63	0.47	1	1.77	1.61	0.71	0.43	1.18	1.97	0.14

Thread Pattern conform to ANSI / ASME B1.20.1, NPT  
 No Lead  
 Stainless Wrought Fittings conform To ASTM A182, Barstock to ASTM A479

Project Name: \_\_\_\_\_  
 Job #: \_\_\_\_\_

150# CAST  
 A351  
 (Red Cplg)

SELECT	SIZE	D1	D2	D3	C1	H1	d1	d2	d3	C2	H2	L1	L	I
<input type="checkbox"/>	1 1/2 x 1/4	1 1/2	2.36	2.22	0.71	0.47	1/4	0.79	0.71	0.71	0.24	1.22	2.24	0.14
<input type="checkbox"/>	1 1/2 x 3/8	1 1/2	2.36	2.22	0.71	0.47	3/8	1.00	0.91	0.71	0.31	1.22	2.24	0.14
<input type="checkbox"/>	1 1/2 x 1/2	1 1/2	2.36	2.22	0.63	0.47	1/2	1.18	1.10	0.57	0.35	1.22	2.24	0.14
<input type="checkbox"/>	1 1/2 x 3/4	1 1/2	2.36	2.22	0.63	0.47	3/4	1.42	1.30	0.61	0.39	1.22	2.24	0.14
<input type="checkbox"/>	1 1/2 x 1	1 1/2	2.36	2.22	0.63	0.47	1	1.77	1.61	0.67	0.43	1.22	2.24	0.14
<input type="checkbox"/>	1 1/2 x 1 1/4	1 1/2	2.36	2.22	0.71	0.47	1 1/4	2.09	1.97	0.67	0.47	1.22	2.24	0.14
<input type="checkbox"/>	2 x 1/4	2	2.91	2.76	0.71	0.51	1/4	0.79	0.71	0.63	0.20	1.50	2.64	0.16
<input type="checkbox"/>	2 x 3/8	2	2.91	2.76	0.71	0.51	3/8	1.00	0.91	0.51	0.31	1.50	2.64	0.16
<input type="checkbox"/>	2 x 1/2	2	2.91	2.76	0.71	0.51	1/2	1.18	1.10	0.59	0.35	1.50	2.64	0.16
<input type="checkbox"/>	2 x 3/4	2	2.91	2.76	0.71	0.51	3/4	1.42	1.30	0.69	0.39	1.50	2.64	0.16
<input type="checkbox"/>	2 x 1	2	2.91	2.76	0.63	0.51	1	1.77	1.61	0.67	0.43	1.50	2.64	0.16
<input type="checkbox"/>	2 x 1 1/4	2	2.91	2.76	0.71	0.51	1 1/4	2.09	1.97	0.67	0.47	1.50	2.64	0.16
<input type="checkbox"/>	2 x 1 1/2	2	2.91	2.76	0.71	0.55	1 1/2	2.36	2.22	0.59	0.47	1.57	2.64	0.16
<input type="checkbox"/>	2 1/2 x 3/4	2 1/2	3.54	3.39	0.91	0.55	3/4	1.42	1.30	0.75	0.35	1.69	2.99	0.26
<input type="checkbox"/>	2 1/2 x 1	2 1/2	3.54	3.39	0.91	0.55	1	1.77	1.61	0.75	0.43	1.69	2.99	0.26
<input type="checkbox"/>	2 1/2 x 1 1/4	2 1/2	3.54	3.39	0.91	0.55	1 1/4	2.09	1.97	0.87	0.47	1.69	2.99	0.26
<input type="checkbox"/>	2 1/2 x 1 1/2	2 1/2	3.54	3.39	0.91	0.55	1 1/2	2.36	2.22	0.91	0.47	1.69	2.99	0.26
<input type="checkbox"/>	2 1/2 x 2	2 1/2	3.54	3.39	0.91	0.55	2	2.91	2.76	0.87	0.55	1.69	2.99	0.26
<input type="checkbox"/>	3 X 1/2	----	----	----	----	----	----	----	----	----	----	----	----	----
<input type="checkbox"/>	3 x 3/4	3	4.29	4.09	0.94	0.59	3/4	1.42	1.30	0.55	0.39	1.93	3.35	0.26
<input type="checkbox"/>	3 x 1	3	4.29	4.09	0.94	0.59	1	1.77	1.61	0.63	0.43	1.93	3.31	0.26
<input type="checkbox"/>	3 x 1 1/4	3	4.29	4.09	0.94	0.59	1 1/4	2.09	1.97	0.75	0.47	1.93	3.31	0.26
<input type="checkbox"/>	3 x 1 1/2	3	4.29	4.09	0.94	0.63	1 1/2	2.36	2.22	0.79	0.51	1.93	3.35	0.26
<input type="checkbox"/>	3 x 2	3	4.29	4.09	0.94	0.59	2	2.91	2.76	0.79	0.51	1.69	3.31	0.26
<input type="checkbox"/>	3 x 2 1/2	3	4.29	4.09	0.94	0.59	2 1/2	3.54	3.39	1.02	0.65	1.93	3.27	0.26
<input type="checkbox"/>	4 x 1	4	5.43	5.20	0.98	0.63	1	1.77	1.61	0.94	0.43	2.17	3.82	0.26
<input type="checkbox"/>	4 x 1 1/4	4	5.43	5.20	0.98	0.63	1 1/4	2.09	1.97	0.87	0.47	2.09	3.74	0.26
<input type="checkbox"/>	4 x 1 1/2	4	5.43	5.20	0.98	0.63	1 1/2	2.36	2.22	0.94	0.51	2.09	3.74	0.26
<input type="checkbox"/>	4 x 2	4	5.43	5.20	0.98	0.63	2	2.91	2.76	0.94	0.55	2.09	3.82	0.26
<input type="checkbox"/>	4 x 2 1/2	4	5.43	5.20	0.98	0.63	2 1/2	3.54	3.39	1.14	0.59	2.09	3.78	0.26
<input type="checkbox"/>	4 x 3	4	5.43	5.20	0.98	0.63	3	4.29	4.09	0.98	0.63	2.17	3.86	0.26

Thread Pattern conform to ANSI / ASME B1.20.1, NPT  
 No Lead  
 Stainless Wrought Fittings conform To ASTM A182, Barstock to ASTM A479