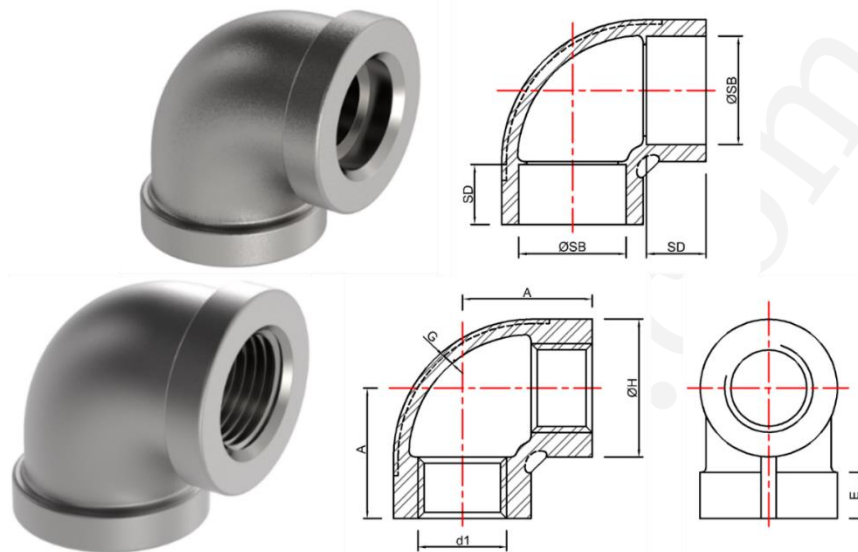


Project Name: _____
Job #: _____

**Class 150# - CAST FITTINGS, ASTM A351 - MSS
SP114 Heavy Pattern**

HEAVY PATTERN 90° ELBOW

SOCKET-WELD END



THREAD END

- Grade: T304/CF8 T316/CF8M
 Connection: Threaded Socket weld
 Source: Import Domestic

DIMENSIONS

UOM: Inches/LBS

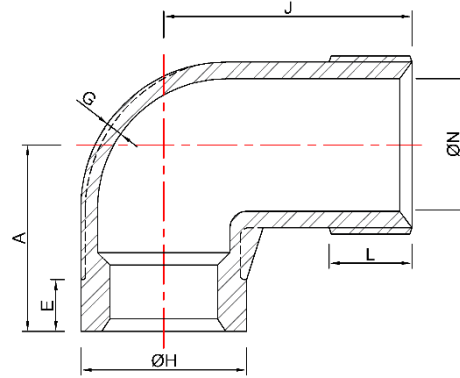
SELECT	SIZE	A	E	G	H	SB	SD
<input type="checkbox"/>	1/8	0.81	0.20	0.09	0.75	0.43	0.39
<input type="checkbox"/>	1/4	0.81	0.20	0.09	0.84	0.56	0.39
<input type="checkbox"/>	3/8	0.93	0.21	0.10	1.02	0.69	0.39
<input type="checkbox"/>	1/2	1.12	0.25	0.10	1.21	0.85	0.39
<input type="checkbox"/>	3/4	1.31	0.27	0.12	1.46	1.07	0.51
<input type="checkbox"/>	1	1.50	0.30	0.13	1.77	1.33	0.51
<input type="checkbox"/>	1 1/4	1.75	0.34	0.14	2.15	1.68	0.51
<input type="checkbox"/>	1 1/2	1.93	0.37	0.15	2.43	1.92	0.51
<input type="checkbox"/>	2	2.25	0.42	0.17	2.96	2.41	0.63
<input type="checkbox"/>	2 1/2	2.68	0.48	0.21	3.31	2.91	0.63
<input type="checkbox"/>	3	3.06	0.55	0.23	4.00	3.54	0.63
<input type="checkbox"/>	4	3.81	0.66	0.26	5.06	4.55	0.75

Thread Pattern conform to ANSI / ASME B1.20.1, NPT
 Stainless Castings conform to ASTM A351
 Stainless Wrought Fittings conform To ASTM A182, Barstock to ASTM A479
 Manufactured in accordance to ISO 9001: 2000

Project Name: _____
Job #: _____

Class 150# - CAST FITTINGS, ASTM A351 - MSS
SP114 Heavy Pattern

HEAVY PATTERN STREET 90° ELBOW



- Grade: T304/CF8 T316/CF8M
 Connection: Threaded
 Source: Import Domestic

DIMENSIONS

UOM: Inches/LBS

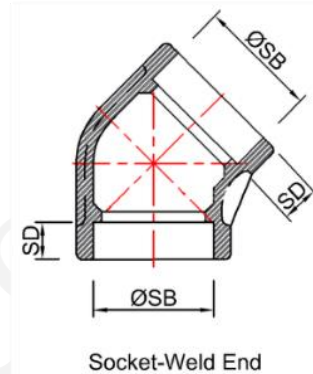
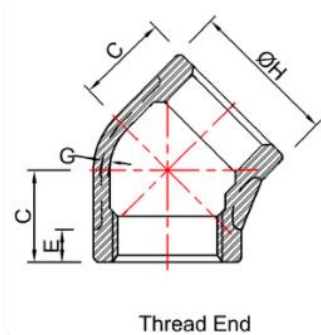
SELECT	SIZE	A	E	G	H	J	N	L
<input type="checkbox"/>	1/8	0.81	0.20	0.09	0.75	1.06	0.19	0.26
<input type="checkbox"/>	1/4	0.81	0.20	0.09	0.84	1.18	0.24	0.40
<input type="checkbox"/>	3/8	0.93	0.21	0.10	1.01	1.43	0.36	0.41
<input type="checkbox"/>	1/2	1.12	0.25	0.10	1.20	1.62	0.51	0.53
<input type="checkbox"/>	3/4	1.31	0.27	0.12	1.46	1.87	0.69	0.55
<input type="checkbox"/>	1	1.50	0.30	0.13	1.77	2.12	0.91	0.68
<input type="checkbox"/>	1 1/4	1.75	0.34	0.14	2.15	2.50	1.18	0.71
<input type="checkbox"/>	1 1/2	1.93	0.37	0.15	2.43	2.75	1.38	0.72
<input type="checkbox"/>	2	2.25	0.42	0.17	2.96	3.25	1.89	0.76
<input type="checkbox"/>	2 1/2	2.68	0.48	0.21	3.31	3.87	2.19	1.14
<input type="checkbox"/>	3	3.06	0.55	0.23	4.00	4.50	2.78	1.20
<input type="checkbox"/>	4	3.81	0.66	0.26	5.06	5.68	3.68	1.30

Thread Pattern conform to ANSI / ASME B1.20.1, NPT
 Stainless Castings conform to ASTM A351
 Stainless Wrought Fittings conform To ASTM A182, Barstock to ASTM A479
 Manufactured in accordance to ISO 9001: 2000

Project Name: _____
Job #: _____

Class 150# - CAST FITTINGS, ASTM A351 - MSS
SP114 Heavy Pattern

HEAVY PATTERN 45° ELBOW



- Grade: T304/CF8 T316/CF8M
 Connection: Threaded Socket weld
 Source: Import Domestic

DIMENSIONS

UOM: Inches/LBS

SELECT	SIZE	C	E	G	H	SB	SD
<input type="checkbox"/>	1/8	0.69	0.20	0.09	0.75	0.43	0.39
<input type="checkbox"/>	1/4	0.69	0.20	0.09	0.84	0.56	0.39
<input type="checkbox"/>	3/8	0.81	0.21	0.10	1.01	0.69	0.39
<input type="checkbox"/>	1/2	0.87	0.25	0.10	1.20	0.85	0.39
<input type="checkbox"/>	3/4	1.00	0.27	0.12	1.46	1.07	0.51
<input type="checkbox"/>	1	1.12	0.30	0.13	1.77	1.33	0.51
<input type="checkbox"/>	1 1/4	1.31	0.34	0.14	2.15	1.68	0.51
<input type="checkbox"/>	1 1/2	1.43	0.37	0.15	2.43	1.92	0.51
<input type="checkbox"/>	2	1.68	0.42	0.17	2.96	2.41	0.63
<input type="checkbox"/>	2 1/2	1.93	0.48	0.21	3.31	2.91	0.63
<input type="checkbox"/>	3	2.18	0.55	0.23	4.00	3.54	0.63
<input type="checkbox"/>	4	2.62	0.66	0.26	5.06	4.55	0.75

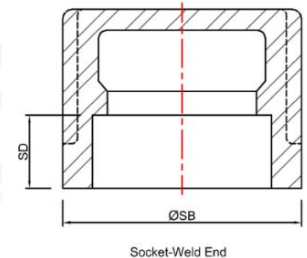
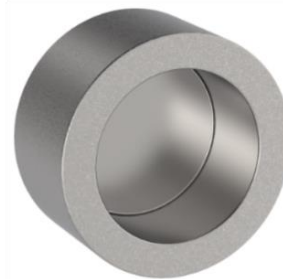
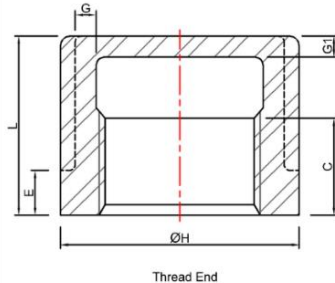
Thread Pattern conform to ANSI / ASME B1.20.1, NPT
 Stainless Castings conform to ASTM A351
 Stainless Wrought Fittings conform To ASTM A182, Barstock to ASTM A479
 Manufactured in accordance to ISO 9001: 2000

Project Name: _____

Job #: _____

Class 150# - CAST FITTINGS, ASTM A351 - MSS
SP114 Heavy Pattern

HEAVY PATTERN CAPS



- Grade: T304/CF8 T316/CF8M
 Connection: Threaded Socket weld
 Source: Import Domestic

DIMENSIONS

UOM: Inches/LBS

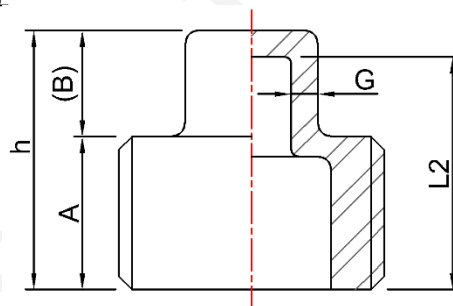
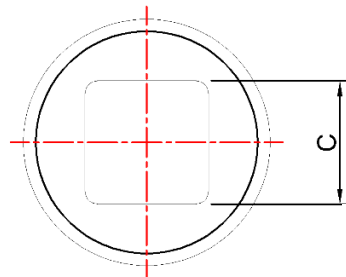
SELECT	SIZE	C	E	G	G1	H	L	SB	SD
<input type="checkbox"/>	1/8	0.25	0.20	0.09	0.09	0.75	0.68	0.43	0.39
<input type="checkbox"/>	1/4	0.32	0.20	0.09	0.09	0.84	0.68	0.56	0.39
<input type="checkbox"/>	3/8	0.36	0.21	0.10	0.10	1.01	0.81	0.69	0.39
<input type="checkbox"/>	1/2	0.43	0.25	0.10	0.12	1.20	0.93	0.85	0.39
<input type="checkbox"/>	3/4	0.50	0.27	0.12	0.13	1.46	1.06	1.07	0.51
<input type="checkbox"/>	1	0.58	0.30	0.13	0.15	1.77	1.31	1.33	0.51
<input type="checkbox"/>	1 1/4	0.67	0.34	0.14	0.17	2.15	1.62	1.68	0.51
<input type="checkbox"/>	1 1/2	0.70	0.37	0.15	0.19	2.43	1.62	1.92	0.51
<input type="checkbox"/>	2	0.75	0.42	0.17	0.22	2.96	1.75	2.41	0.63
<input type="checkbox"/>	2 1/2	0.92	0.48	0.21	0.25	3.31	2.00	2.91	0.63
<input type="checkbox"/>	3	0.98	0.55	0.23	0.29	4.00	2.25	3.54	0.63
<input type="checkbox"/>	4	1.08	0.66	0.26	0.36	5.06	2.50	4.55	0.75

Thread Pattern conform to ANSI / ASME B1.20.1, NPT
 Stainless Castings conform to ASTM A351
 Stainless Wrought Fittings conform To ASTM A182, Barstock to ASTM A479
 Manufactured in accordance to ISO 9001: 2000

Project Name: _____
Job #: _____

Class 150# - CAST FITTINGS, ASTM A351 - MSS SP114 Heavy Pattern

HEAVY PATTERN SQUARE PLUG



- Grade: T304/CF8 T316/CF8M
 Connection: Threaded
 Source: Import Domestic

DIMENSIONS

UOM: Inches/LBS

SELECT	SIZE	A	(B)	C	L2	h	G
<input type="checkbox"/>	1/8	0.37	0.24	0.28	----	0.61	----
<input type="checkbox"/>	1/4	0.44	0.28	0.37	----	0.72	----
<input type="checkbox"/>	3/8	0.48	0.31	0.44	----	0.79	----
<input type="checkbox"/>	1/2	0.56	0.38	0.56	0.78	0.94	0.16
<input type="checkbox"/>	3/4	0.63	0.44	0.63	0.89	1.07	0.18
<input type="checkbox"/>	1	0.75	0.50	0.81	1.05	1.25	0.20
<input type="checkbox"/>	1 1/4	0.80	0.56	0.94	1.15	1.37	0.22
<input type="checkbox"/>	1 1/2	0.83	0.62	1.13	1.21	1.45	0.24
<input type="checkbox"/>	2	0.88	0.68	1.31	1.30	1.56	0.26
<input type="checkbox"/>	2 1/2	1.07	0.74	1.50	1.52	1.81	0.29
<input type="checkbox"/>	3	1.13	0.80	1.69	1.62	1.93	0.31
<input type="checkbox"/>	4	1.22	1.00	2.25	1.84	2.22	0.38

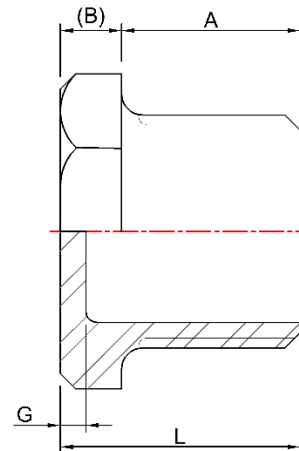
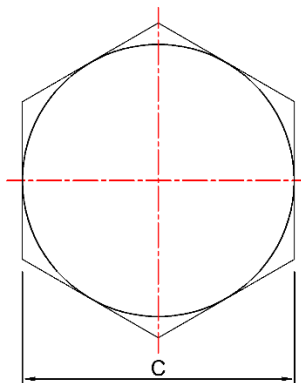
Thread Pattern conform to ANSI / ASME B1.20.1, NPT
 Stainless Castings conform to ASTM A351
 Stainless Wrought Fittings conform To ASTM A182, Barstock to ASTM A479
 Manufactured in accordance to ISO 9001: 2000

Project Name: _____

Job #: _____

Class 150# - CAST FITTINGS, ASTM A351 - MSS
SP114 Heavy Pattern

HEAVY PATTERN HEX HEAD PLUG



- Grade: T304/CF8 T316/CF8M
 Connection: Threaded
 Source: Import Domestic

DIMENSIONS

UOM: Inches/LBS

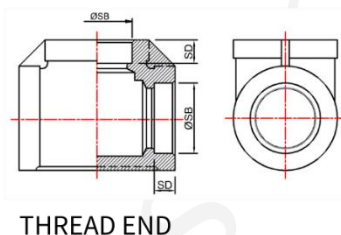
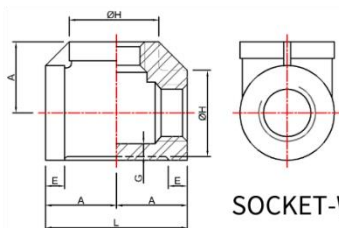
SELECT	SIZE	A	B	C	G	L
<input type="checkbox"/>	1/8	0.37	0.14	0.55	----	0.51
<input type="checkbox"/>	1/4	0.44	0.14	0.67	----	0.58
<input type="checkbox"/>	3/8	0.48	0.16	0.83	----	0.64
<input type="checkbox"/>	1/2	0.56	0.19	1.02	0.16	0.76
<input type="checkbox"/>	3/4	0.63	0.22	1.20	0.18	0.85
<input type="checkbox"/>	1	0.75	0.25	1.43	0.20	1.00
<input type="checkbox"/>	1 1/4	0.80	0.28	1.76	0.22	1.09
<input type="checkbox"/>	1 1/2	0.83	0.31	2.00	0.24	1.14
<input type="checkbox"/>	2	0.88	0.34	2.48	0.26	1.22
<input type="checkbox"/>	2 1/2	1.07	0.37	2.98	0.29	1.44
<input type="checkbox"/>	3	1.13	0.40	3.86	0.31	1.53
<input type="checkbox"/>	4	1.22	0.50	4.63	0.38	1.72

Thread Pattern conform to ANSI / ASME B1.20.1, NPT
 Stainless Castings conform to ASTM A351
 Stainless Wrought Fittings conform To ASTM A182, Barstock to ASTM A479
 Manufactured in accordance to ISO 9001: 2000

Project Name: _____
Job #: _____

Class 150# - CAST FITTINGS, ASTM A351 - MSS SP114 Heavy Pattern

HEAVY PATTERN TEE



- Grade: T304/CF8 T316/CF8M
 Connection: Threaded Socket weld
 Source: Import Domestic

DIMENSIONS

UOM: Inches/LBS

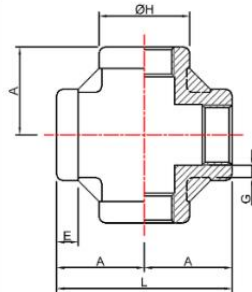
SELECT	SIZE	A	E	G	H	L	SB	SD
<input type="checkbox"/>	1/8	0.81	0.20	0.09	0.75	1.62	0.43	0.39
<input type="checkbox"/>	1/4	0.81	0.20	0.09	0.84	1.62	0.56	0.39
<input type="checkbox"/>	3/8	0.93	0.21	0.10	1.01	1.86	0.69	0.39
<input type="checkbox"/>	1/2	1.12	0.25	0.10	1.20	2.24	0.85	0.39
<input type="checkbox"/>	3/4	1.31	0.27	0.12	1.46	2.62	1.07	0.51
<input type="checkbox"/>	1	1.50	0.30	0.13	1.77	3.00	1.33	0.51
<input type="checkbox"/>	1 1/4	1.75	0.34	0.14	2.15	3.50	1.68	0.51
<input type="checkbox"/>	1 1/2	1.93	0.37	0.15	2.43	3.86	1.92	0.51
<input type="checkbox"/>	2	2.25	0.42	0.17	2.96	4.50	2.41	0.63
<input type="checkbox"/>	2 1/2	2.68	0.48	0.21	3.31	5.36	2.91	0.63
<input type="checkbox"/>	3	3.06	0.55	0.23	4.00	6.12	3.54	0.63
<input type="checkbox"/>	4	3.81	0.66	0.26	5.06	7.62	4.55	0.75

Thread Pattern conform to ANSI / ASME B1.20.1, NPT
 Stainless Castings conform to ASTM A351
 Stainless Wrought Fittings conform To ASTM A182, Barstock to ASTM A479
 Manufactured in accordance to ISO 9001: 2000

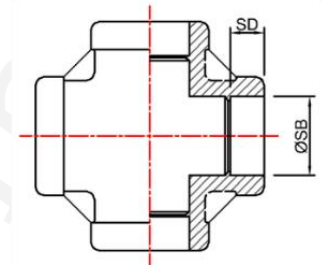
Project Name: _____
Job #: _____

Class 150# - CAST FITTINGS, ASTM A351 - MSS
SP114 Heavy Pattern

HEAVY PATTERN CROSS



Thread End



Socket - Weld End

- Grade: T304/CF8 T316/CF8M
 Connection: Threaded Socket weld
 Source: Import Domestic

DIMENSIONS

UOM: Inches/LBS

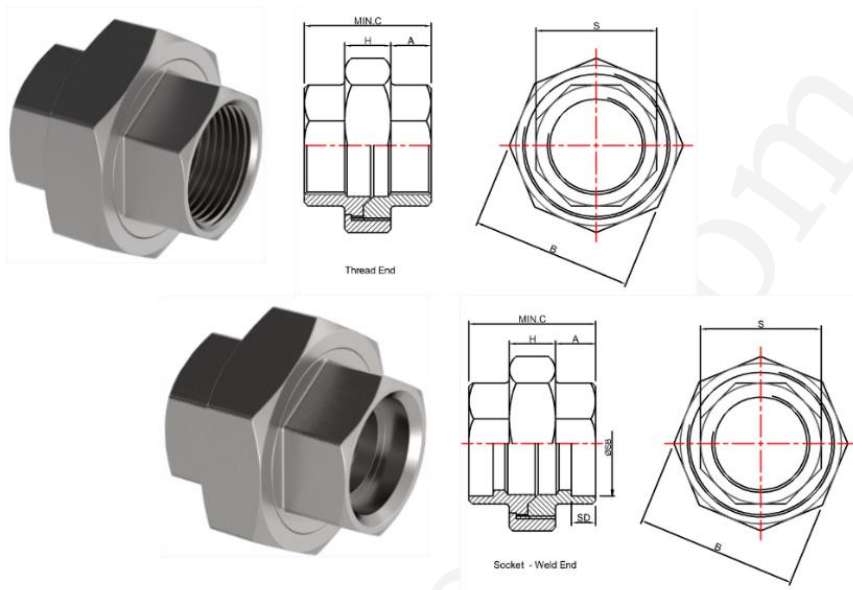
SELECT	SIZE	A	E	G	H	L	SB	SD
<input type="checkbox"/>	1/8	0.81	0.20	0.09	0.75	1.62	0.43	0.39
<input type="checkbox"/>	1/4	0.81	0.20	0.09	0.84	1.62	0.56	0.39
<input type="checkbox"/>	3/8	0.93	0.21	0.10	1.01	1.86	0.69	0.39
<input type="checkbox"/>	1/2	1.12	0.25	0.10	1.20	2.24	0.85	0.39
<input type="checkbox"/>	3/4	1.31	0.27	0.12	1.46	2.62	1.07	0.51
<input type="checkbox"/>	1	1.50	0.30	0.13	1.77	3.00	1.33	0.51
<input type="checkbox"/>	1 1/4	1.75	0.34	0.14	2.15	3.50	1.68	0.51
<input type="checkbox"/>	1 1/2	1.93	0.37	0.15	2.43	3.86	1.92	0.51
<input type="checkbox"/>	2	2.25	0.42	0.17	2.96	4.50	2.41	0.63
<input type="checkbox"/>	2 1/2	2.68	0.48	0.21	3.31	5.36	2.91	0.63
<input type="checkbox"/>	3	3.06	0.55	0.23	4.00	6.12	3.54	0.63
<input type="checkbox"/>	4	3.81	0.66	0.26	5.06	7.62	4.55	0.75

Thread Pattern conform to ANSI / ASME B1.20.1, NPT
 Stainless Castings conform to ASTM A351
 Stainless Wrought Fittings conform To ASTM A182, Barstock to ASTM A479
 Manufactured in accordance to ISO 9001: 2000

Project Name: _____
Job #: _____

**Class 150# - CAST FITTINGS, ASTM A351 - MSS
SP114 Heavy Pattern**

HEAVY PATTERN UNION



- Grade: T304/CF8 T316/CF8M
 Connection: Threaded Socket weld
 Source: Import Domestic

DIMENSIONS

UOM: Inches/LBS

SELECT	SIZE	A	B	C	H	S	SB	SD
<input type="checkbox"/>	1/8	0.34	1.14	1.26	0.59	0.71	0.43	0.39
<input type="checkbox"/>	1/4	0.43	1.14	1.44	0.59	0.71	0.56	0.39
<input type="checkbox"/>	3/8	0.52	1.42	1.61	0.59	0.89	0.69	0.39
<input type="checkbox"/>	1/2	0.57	1.61	1.72	0.59	1.06	0.85	0.39
<input type="checkbox"/>	3/4	0.67	1.93	1.94	0.61	1.26	1.07	0.51
<input type="checkbox"/>	1	0.68	2.28	2.06	0.71	1.59	1.33	0.51
<input type="checkbox"/>	1 1/4	0.72	2.67	2.26	0.84	1.97	1.68	0.51
<input type="checkbox"/>	1 1/2	0.78	3.02	2.41	0.87	2.20	1.92	0.51
<input type="checkbox"/>	2	0.89	3.60	2.75	0.98	2.72	2.41	0.63
<input type="checkbox"/>	2 1/2	1.11	4.29	3.22	0.98	3.36	2.91	0.63
<input type="checkbox"/>	3	1.18	4.92	3.50	1.15	3.94	3.54	0.63
<input type="checkbox"/>	4	1.26	6.14	3.85	1.35	5.00	4.55	0.75

Thread Pattern conform to ANSI / ASME B1.20.1, NPT
 Stainless Castings conform to ASTM A351
 Stainless Wrought Fittings conform To ASTM A182, Barstock to ASTM A479
 Manufactured in accordance to ISO 9001: 2000

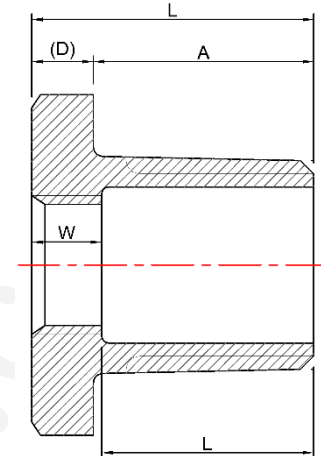
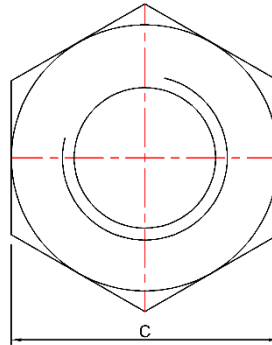
Project Name: _____

Job #: _____

MSS-HEAVY
150# CAST
A351
(H Bush)

Class 150# - CAST FITTINGS, ASTM A351 - MSS **SP114 Heavy Pattern**

HEAVY PATTERN HEX BUSHING



Grade: T304/CF8 T316/CF8M
 Connection: Threaded
 Source: Import Domestic

DIMENSIONS

UOM: Inches/LBS

SELECT	SIZE	A	C	D	L	T
<input type="checkbox"/>	1/4 x 1/8	0.44	0.63	0.12	0.56	0.30
<input type="checkbox"/>	3/8 x 1/8	0.50	0.87	0.16	0.66	0.30
<input type="checkbox"/>	3/8 x 1/4	0.50	0.87	0.16	0.66	----
<input type="checkbox"/>	1/2 x 1/8	0.56	1.00	0.19	0.76	0.30
<input type="checkbox"/>	1/2 x 1/4	0.56	1.00	0.19	0.76	0.46
<input type="checkbox"/>	1/2 x 3/8	0.56	1.00	0.19	0.76	----
<input type="checkbox"/>	3/4 x 1/8	0.62	1.24	0.22	0.84	0.30
<input type="checkbox"/>	3/4 x 1/4	0.62	1.24	0.22	0.84	0.46
<input type="checkbox"/>	3/4 x 3/8	0.62	1.24	0.22	0.84	0.46
<input type="checkbox"/>	3/4 x 1/2	0.62	1.24	0.22	0.84	----
<input type="checkbox"/>	1 x 1/8	0.75	1.37	0.25	1.00	0.30
<input type="checkbox"/>	1 x 1/4	0.75	1.37	0.25	1.00	0.46
<input type="checkbox"/>	1 x 3/8	0.75	1.37	0.25	1.00	0.46
<input type="checkbox"/>	1 x 1/2	0.75	1.37	0.25	1.00	0.60
<input type="checkbox"/>	1 x 3/4	0.75	1.37	0.25	1.00	0.62
<input type="checkbox"/>	1 1/4 x 1/4	0.81	1.75	0.28	1.09	0.46
<input type="checkbox"/>	1 1/4 x 3/8	0.81	1.75	0.28	1.09	0.46
<input type="checkbox"/>	1 1/4 x 1/2	0.81	1.75	0.28	1.09	0.60
<input type="checkbox"/>	1 1/4 x 3/4	0.81	1.75	0.28	1.09	0.62
<input type="checkbox"/>	1 1/4 x 1	0.81	1.75	0.28	1.09	0.77

Thread Pattern conform to ANSI / ASME B1.20.1, NPT

Stainless Castings conform to ASTM A351

Stainless Wrought Fittings conform To ASTM A182, Barstock to ASTM A479

Manufactured in accordance to ISO 9001: 2000

Project Name: _____

Job #: _____

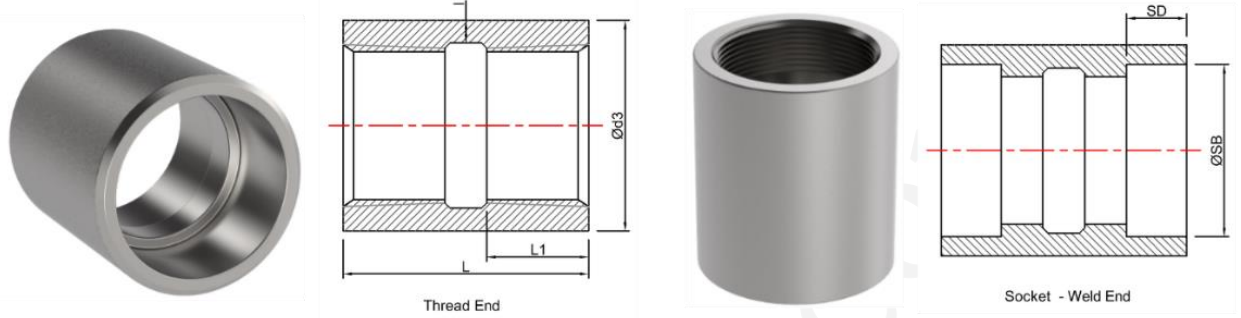
SELECT	SIZE	A	C	D	L	T
<input type="checkbox"/>	1 1/2 x 1/4	0.81	2.00	0.31	1.12	0.46
<input type="checkbox"/>	1 1/2 x 3/8	0.81	2.00	0.31	1.12	0.46
<input type="checkbox"/>	1 1/2 x 1/2	0.81	2.00	0.31	1.12	0.60
<input type="checkbox"/>	1 1/2 x 3/4	0.81	2.00	0.31	1.12	0.62
<input type="checkbox"/>	1 1/2 x 1	0.81	2.00	0.31	1.12	0.77
<input type="checkbox"/>	1 1/2 x 1 1/4	0.81	2.00	0.31	1.12	0.80
<input type="checkbox"/>	2 x 1/4	0.88	2.50	0.34	1.22	0.46
<input type="checkbox"/>	2 x 3/8	0.88	2.50	0.34	1.22	0.46
<input type="checkbox"/>	2 x 1/2	0.88	2.50	0.34	1.22	0.60
<input type="checkbox"/>	2 x 3/4	0.88	2.50	0.34	1.22	0.62
<input type="checkbox"/>	2 x 1	0.88	2.50	0.34	1.22	0.77
<input type="checkbox"/>	2 x 1 1/4	0.88	2.50	0.34	1.22	0.80
<input type="checkbox"/>	2 x 1 1/2	0.88	2.50	0.34	1.22	0.81
<input type="checkbox"/>	2 1/2 x 1/2	1.06	3.00	0.38	1.44	0.65
<input type="checkbox"/>	2 1/2 x 3/4	1.06	3.00	0.38	1.44	0.62
<input type="checkbox"/>	2 1/2 x 1	1.06	3.00	0.38	1.44	0.75
<input type="checkbox"/>	2 1/2 x 1 1/4	1.06	3.00	0.38	1.44	0.80
<input type="checkbox"/>	2 1/2 x 1 1/2	1.06	3.00	0.38	1.44	0.81
<input type="checkbox"/>	2 1/2 x 2	1.06	3.00	0.38	1.44	0.85
<input type="checkbox"/>	3 x 1/2	1.12	3.74	0.41	1.54	0.65
<input type="checkbox"/>	3 x 3/4	1.12	3.74	0.41	1.54	0.62
<input type="checkbox"/>	3 x 1	1.12	3.74	0.41	1.54	0.75
<input type="checkbox"/>	3 x 1 1/4	1.12	3.74	0.41	1.54	0.79
<input type="checkbox"/>	3 x 1 1/2	1.12	3.74	0.41	1.54	0.81
<input type="checkbox"/>	3 x 2	1.12	3.74	0.41	1.54	0.85
<input type="checkbox"/>	3 x 2 1/2	1.12	3.74	0.41	1.54	1.23
<input type="checkbox"/>	4 x 1	1.25	4.63	0.60	1.85	0.77
<input type="checkbox"/>	4 x 1 1/4	1.25	4.63	0.60	1.85	0.79
<input type="checkbox"/>	4 x 1 1/2	1.25	4.63	0.60	1.85	0.81
<input type="checkbox"/>	4 x 2	1.25	4.63	0.60	1.85	0.85
<input type="checkbox"/>	4 x 2 1/2	1.25	4.63	0.60	1.85	1.23
<input type="checkbox"/>	4 x 3	1.25	4.63	0.60	1.85	1.33

Thread Pattern conform to ANSI / ASME B1.20.1, NPT
 Stainless Castings conform to ASTM A351
 Stainless Wrought Fittings conform To ASTM A182, Barstock to ASTM A479
 Manufactured in accordance to ISO 9001: 2000

Project Name: _____
 Job #: _____

Class 150# - CAST FITTINGS, ASTM A351 - MSS
SP114 Heavy Pattern

HEAVY PATTERN COUPLING



- Grade: T304/CF8 T316/CF8M
 Connection: Threaded Socket weld
 Source: Import Domestic

DIMENSIONS

UOM: Inches/LBS

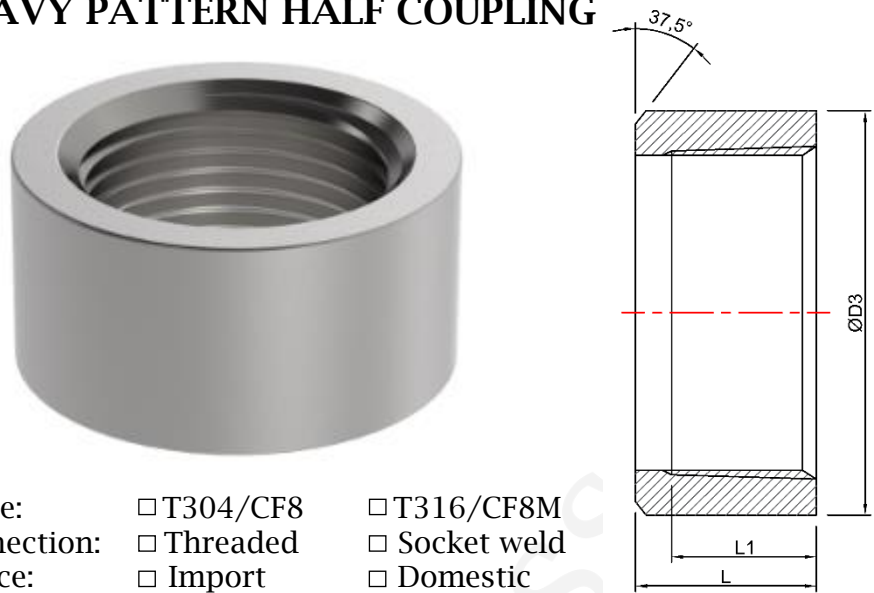
SELECT	SIZE	d3	I	L	L1	SB	SD
<input type="checkbox"/>	1/8	0.75	0.09	1.00	0.25	0.43	0.39
<input type="checkbox"/>	1/4	0.84	0.09	1.00	0.32	0.56	0.39
<input type="checkbox"/>	3/8	1.01	0.10	1.12	0.36	0.69	0.39
<input type="checkbox"/>	1/2	1.20	0.10	1.38	0.43	0.85	0.39
<input type="checkbox"/>	3/4	1.46	0.12	1.50	0.50	1.07	0.51
<input type="checkbox"/>	1	1.77	0.13	1.62	0.58	1.33	0.51
<input type="checkbox"/>	1 1/4	2.15	0.14	2.00	0.67	1.68	0.51
<input type="checkbox"/>	1 1/2	2.43	0.15	2.12	0.70	1.92	0.51
<input type="checkbox"/>	2	2.96	0.17	2.50	0.75	2.41	0.63
<input type="checkbox"/>	2 1/2	3.31	0.21	2.87	0.92	2.91	0.63
<input type="checkbox"/>	3	4.00	0.23	3.22	0.98	3.54	0.63
<input type="checkbox"/>	4	5.06	0.26	3.66	1.08	4.55	0.75

Thread Pattern conform to ANSI / ASME B1.20.1, NPT
 Stainless Castings conform to ASTM A351
 Stainless Wrought Fittings conform To ASTM A182, Barstock to ASTM A479
 Manufactured in accordance to ISO 9001: 2000

Project Name: _____
Job #: _____

**Class 150# - CAST FITTINGS, ASTM A351 - MSS
SP114 Heavy Pattern**

HEAVY PATTERN HALF COUPLING



- Grade: T304/CF8 T316/CF8M
 Connection: Threaded Socket weld
 Source: Import Domestic

DIMENSIONS

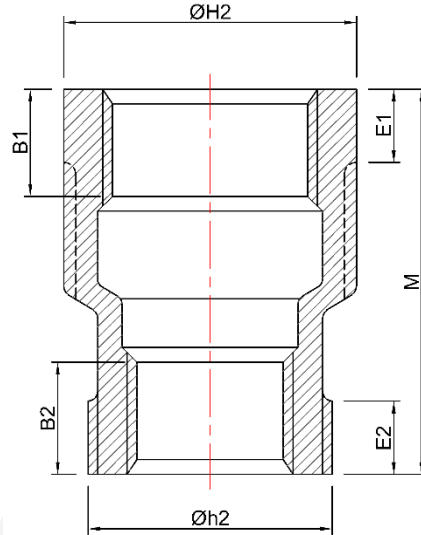
UOM: Inches/LBS

SELECT	SIZE	D3	L	L1
<input type="checkbox"/>	1/8	0.75	0.50	0.25
<input type="checkbox"/>	1/4	0.84	0.54	0.32
<input type="checkbox"/>	3/8	1.01	0.61	0.36
<input type="checkbox"/>	1/2	1.20	0.73	0.43
<input type="checkbox"/>	3/4	1.46	0.79	0.50
<input type="checkbox"/>	1	1.77	0.85	0.58
<input type="checkbox"/>	1 1/4	2.15	1.04	0.67
<input type="checkbox"/>	1 1/2	2.43	1.10	0.70
<input type="checkbox"/>	2	2.96	1.29	0.75
<input type="checkbox"/>	2 1/2	3.31	1.48	0.92
<input type="checkbox"/>	3	4.00	1.62	0.98
<input type="checkbox"/>	4	5.06	1.88	1.08

Thread Pattern conform to ANSI / ASME B1.20.1, NPT
 Stainless Castings conform to ASTM A351
 Stainless Wrought Fittings conform To ASTM A182, Barstock to ASTM A479
 Manufactured in accordance to ISO 9001: 2000

Project Name: _____

Job #: _____

Class 150# - CAST FITTINGS, ASTM A351 - MSS
SP114 Heavy Pattern**HEAVY PATTERN REDUCING COUPLING**

Grade: T304/CF8 T316/CF8M
 Connection: Threaded
 Source: Import Domestic

DIMENSIONS

UOM: Inches/LBS

SELECT	SIZE	h2	H2	B1	B2	E1	E2	M
<input type="checkbox"/>	1/4 x 1/8	0.75	0.84	0.32	0.25	0.20	0.20	1.00
<input type="checkbox"/>	3/8 x 1/8	0.75	1.01	0.36	0.25	0.21	0.20	1.12
<input type="checkbox"/>	3/8 x 1/4	0.84	1.01	0.36	0.32	0.21	0.20	1.12
<input type="checkbox"/>	1/2 x 1/8	0.75	1.20	0.43	0.25	0.25	0.20	1.38
<input type="checkbox"/>	1/2 x 1/4	0.84	1.20	0.43	0.32	0.25	0.20	1.38
<input type="checkbox"/>	1/2 x 3/8	1.01	1.20	0.43	0.36	0.25	0.21	1.38
<input type="checkbox"/>	3/4 x 1/8	0.75	1.46	0.50	0.25	0.27	0.20	1.50
<input type="checkbox"/>	3/4 x 1/4	0.84	1.46	0.50	0.32	0.27	0.20	1.50
<input type="checkbox"/>	3/4 x 3/8	1.01	1.46	0.50	0.36	0.27	0.21	1.50
<input type="checkbox"/>	3/4 x 1/2	1.20	1.46	0.50	0.43	0.27	0.25	1.50
<input type="checkbox"/>	1 x 1/8	0.75	1.77	0.58	0.25	0.30	0.20	1.62
<input type="checkbox"/>	1 x 1/4	0.84	1.77	0.58	0.32	0.30	0.20	1.62
<input type="checkbox"/>	1 x 3/8	1.01	1.77	0.58	0.36	0.30	0.21	1.62
<input type="checkbox"/>	1 x 1/2	1.20	1.77	0.58	0.43	0.30	0.25	1.62
<input type="checkbox"/>	1 x 3/4	1.46	1.77	0.58	0.50	0.30	0.27	1.62
<input type="checkbox"/>	1 1/4 x 1/4	1.77	2.96	0.75	0.58	0.42	0.30	2.50
<input type="checkbox"/>	1 1/4 x 3/8	2.15	2.96	0.75	0.67	0.42	0.34	2.50
<input type="checkbox"/>	1 1/4 x 1/2	2.43	2.96	0.75	0.70	0.42	0.37	2.50
<input type="checkbox"/>	1 1/4 x 3/4	1.46	3.31	0.92	0.50	0.48	0.27	3.25
<input type="checkbox"/>	1 1/4 x 1	1.77	3.31	0.92	0.58	0.48	0.30	3.25

Thread Pattern conform to ANSI / ASME B1.20.1, NPT
 Stainless Castings conform to ASTM A351
 Stainless Wrought Fittings conform To ASTM A182, Barstock to ASTM A479
 Manufactured in accordance to ISO 9001: 2000

Project Name: _____

Job #: _____

SELECT	SIZE	h2	H2	B1	B2	E1	E2	M
<input type="checkbox"/>	1 1/2 x 1/4	2.15	3.31	0.92	0.67	0.48	0.34	3.25
<input type="checkbox"/>	1 1/2 x 3/8	2.43	3.31	0.92	0.70	0.48	0.37	3.25
<input type="checkbox"/>	1 1/2 x 1/2	2.96	3.31	0.92	0.75	0.48	0.42	3.25
<input type="checkbox"/>	1 1/2 x 3/4	1.46	4.00	0.98	0.50	0.55	0.27	3.68
<input type="checkbox"/>	1 1/2 x 1 1/4	2.15	2.43	0.70	0.67	0.37	0.34	2.12
<input type="checkbox"/>	2 x 1/4	0.84	2.96	0.75	0.32	0.42	0.20	2.50
<input type="checkbox"/>	2 x 3/8	1.01	2.96	0.75	0.36	0.42	0.21	2.50
<input type="checkbox"/>	2 x 1/2	1.20	2.96	0.75	0.43	0.42	0.25	2.50
<input type="checkbox"/>	2 x 3/4	1.46	2.96	0.75	0.50	0.42	0.27	2.50
<input type="checkbox"/>	2 x 1	1.77	2.96	0.75	0.58	0.42	0.30	2.50
<input type="checkbox"/>	2 x 1 1/4	2.15	2.96	0.75	0.67	0.42	0.34	2.50
<input type="checkbox"/>	2 x 1 1/2	2.43	2.96	0.75	0.70	0.42	0.37	2.50
<input type="checkbox"/>	2 1/2 x 3/4	1.46	3.31	0.92	0.50	0.48	0.27	3.25
<input type="checkbox"/>	2 1/2 x 1	1.77	3.31	0.92	0.58	0.48	0.30	3.25
<input type="checkbox"/>	2 1/2 x 1 1/4	2.15	3.31	0.92	0.67	0.48	0.34	3.25
<input type="checkbox"/>	2 1/2 x 1 1/2	2.43	3.31	0.92	0.70	0.48	0.37	3.25
<input type="checkbox"/>	2 1/2 x 2	2.96	3.31	0.92	0.75	0.48	0.42	3.25
<input type="checkbox"/>	3 x 3/4	1.46	4.00	0.98	0.50	0.55	0.27	3.68
<input type="checkbox"/>	3 x 1	1.77	4.00	0.98	0.58	0.55	0.30	3.68
<input type="checkbox"/>	3 x 1 1/4	2.15	4.00	0.98	0.67	0.55	0.34	3.68
<input type="checkbox"/>	3 x 1 1/2	2.43	4.00	0.98	0.70	0.55	0.37	3.68
<input type="checkbox"/>	3 x 2	2.96	4.00	0.98	0.75	0.55	0.42	3.68
<input type="checkbox"/>	3 x 2 1/2	3.31	4.00	0.98	0.92	0.55	0.48	3.68
<input type="checkbox"/>	4 x 1	1.77	5.06	1.08	0.58	0.66	0.30	4.38
<input type="checkbox"/>	4 x 1 1/4	2.15	5.06	1.08	0.67	0.66	0.34	4.38
<input type="checkbox"/>	4 x 1 1/2	2.43	5.06	1.08	0.70	0.66	0.37	4.38
<input type="checkbox"/>	4 x 2	2.96	5.06	1.08	0.75	0.66	0.42	4.38
<input type="checkbox"/>	4 x 2 1/2	3.31	5.06	1.08	0.92	0.66	0.48	4.38
<input type="checkbox"/>	4 x 3	4.00	5.06	1.08	0.98	0.66	0.55	4.38

Thread Pattern conform to ANSI / ASME B1.20.1, NPT
 Stainless Castings conform to ASTM A351
 Stainless Wrought Fittings conform To ASTM A182, Barstock to ASTM A479
 Manufactured in accordance to ISO 9001: 2000