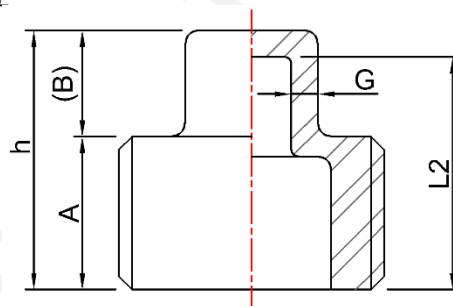
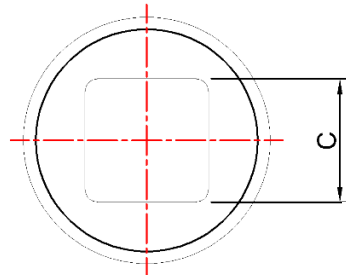


Project Name: \_\_\_\_\_  
Job #: \_\_\_\_\_

## Class 150# - CAST FITTINGS, ASTM A351 - MSS SP114 Heavy Pattern

### HEAVY PATTERN SQUARE PLUG



- Grade:  T304/CF8     T316/CF8M  
 Connection:  Threaded  
 Source:  Import     Domestic

## DIMENSIONS

UOM: Inches/LBS

SELECT	SIZE	A	(B)	C	L2	h	G
<input type="checkbox"/>	1/8	0.37	0.24	0.28	----	0.61	----
<input type="checkbox"/>	1/4	0.44	0.28	0.37	----	0.72	----
<input type="checkbox"/>	3/8	0.48	0.31	0.44	----	0.79	----
<input type="checkbox"/>	1/2	0.56	0.38	0.56	0.78	0.94	0.16
<input type="checkbox"/>	3/4	0.63	0.44	0.63	0.89	1.07	0.18
<input type="checkbox"/>	1	0.75	0.50	0.81	1.05	1.25	0.20
<input type="checkbox"/>	1 1/4	0.80	0.56	0.94	1.15	1.37	0.22
<input type="checkbox"/>	1 1/2	0.83	0.62	1.13	1.21	1.45	0.24
<input type="checkbox"/>	2	0.88	0.68	1.31	1.30	1.56	0.26
<input type="checkbox"/>	2 1/2	1.07	0.74	1.50	1.52	1.81	0.29
<input type="checkbox"/>	3	1.13	0.80	1.69	1.62	1.93	0.31
<input type="checkbox"/>	4	1.22	1.00	2.25	1.84	2.22	0.38

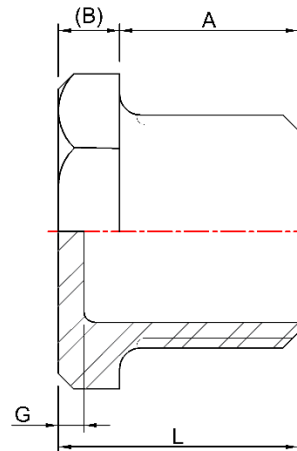
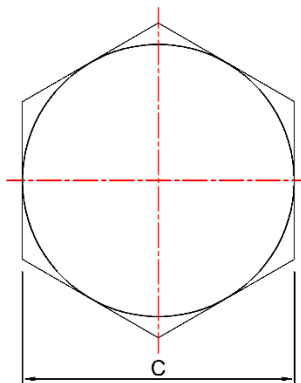
Thread Pattern conform to ANSI / ASME B1.20.1, NPT  
 Stainless Castings conform to ASTM A351  
 Stainless Wrought Fittings conform To ASTM A182, Barstock to ASTM A479  
 Manufactured in accordance to ISO 9001: 2000

Project Name: \_\_\_\_\_

Job #: \_\_\_\_\_

**Class 150# - CAST FITTINGS, ASTM A351 - MSS**  
**SP114 Heavy Pattern**

**HEAVY PATTERN HEX HEAD PLUG**



- Grade:  T304/CF8     T316/CF8M  
 Connection:  Threaded  
 Source:  Import     Domestic

**DIMENSIONS**

UOM: Inches/LBS

SELECT	SIZE	A	B	C	G	L
<input type="checkbox"/>	1/8	0.37	0.14	0.55	----	0.51
<input type="checkbox"/>	1/4	0.44	0.14	0.67	----	0.58
<input type="checkbox"/>	3/8	0.48	0.16	0.83	----	0.64
<input type="checkbox"/>	1/2	0.56	0.19	1.02	0.16	0.76
<input type="checkbox"/>	3/4	0.63	0.22	1.20	0.18	0.85
<input type="checkbox"/>	1	0.75	0.25	1.43	0.20	1.00
<input type="checkbox"/>	1 1/4	0.80	0.28	1.76	0.22	1.09
<input type="checkbox"/>	1 1/2	0.83	0.31	2.00	0.24	1.14
<input type="checkbox"/>	2	0.88	0.34	2.48	0.26	1.22
<input type="checkbox"/>	2 1/2	1.07	0.37	2.98	0.29	1.44
<input type="checkbox"/>	3	1.13	0.40	3.86	0.31	1.53
<input type="checkbox"/>	4	1.22	0.50	4.63	0.38	1.72

Thread Pattern conform to ANSI / ASME B1.20.1, NPT  
 Stainless Castings conform to ASTM A351  
 Stainless Wrought Fittings conform To ASTM A182, Barstock to ASTM A479  
 Manufactured in accordance to ISO 9001: 2000