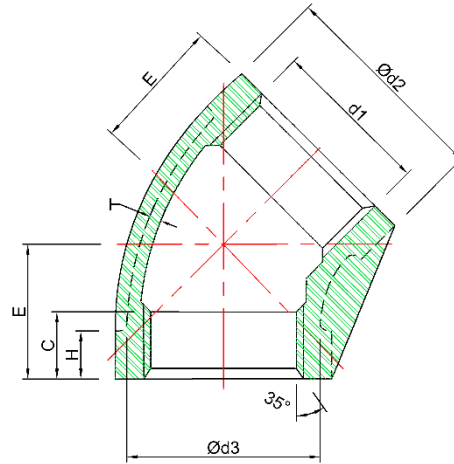


Project Name: _____
 Job #: _____

150# CAST
 A351
 (45 Ell)

Class 150 # - CAST FITTINGS, ASTM A351 - Regular Pattern

45° ELBOW



- Grade: T304/CF8 T316/CF8M
 Connection: Threaded
 Source: Import Domestic

DIMENSIONS

UOM: Inches/LBS

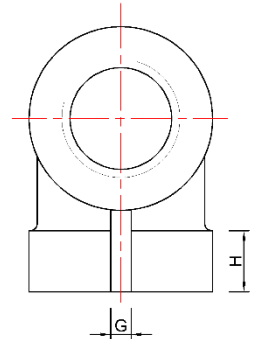
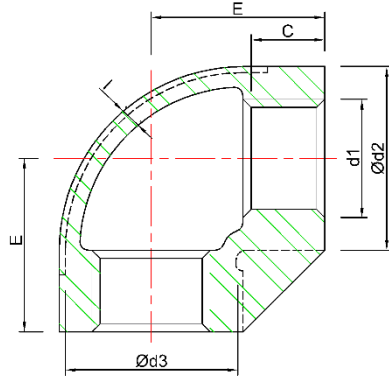
SELECT	SIZE	d1	d2	d3	C	E	H	I
<input type="checkbox"/>	1/8	1/8	0.63	0.53	0.24	0.63	0.24	0.08
<input type="checkbox"/>	1/4	1/4	0.75	0.61	0.37	0.67	0.26	0.08
<input type="checkbox"/>	3/8	3/8	0.89	0.77	0.38	0.75	0.24	0.08
<input type="checkbox"/>	1/2	1/2	1.18	1.10	0.39	0.83	0.31	0.10
<input type="checkbox"/>	3/4	3/4	1.42	1.34	0.43	0.94	0.39	0.10
<input type="checkbox"/>	1	1	1.77	1.57	0.55	1.10	0.39	0.10
<input type="checkbox"/>	1 1/4	1 1/4	2.22	1.91	0.61	1.30	0.43	0.10
<input type="checkbox"/>	1 1/2	1 1/2	2.30	2.20	0.61	1.42	0.49	0.10
<input type="checkbox"/>	2	2	2.83	2.68	0.65	1.65	0.51	0.10
<input type="checkbox"/>	2 1/2	2 1/2	3.54	3.43	0.87	1.93	0.55	0.16
<input type="checkbox"/>	3	3	4.17	4.00	0.98	2.13	0.59	0.16
<input type="checkbox"/>	4	4	6.24	4.25	0.98	2.56	0.59	0.16

Thread Pattern conform to ANSI / ASME B1.20.1, NPT
 No Lead
 Stainless Wrought Fittings conform To ASTM A182, Barstock to ASTM A479

Project Name: _____
Job #: _____

Class 150 # - CAST FITTINGS, ASTM A351 - Regular Pattern

90° ELBOW



- Grade: T304/CF8 T316/CF8M
 Connection: Threaded
 Source: Import Domestic

DIMENSIONS

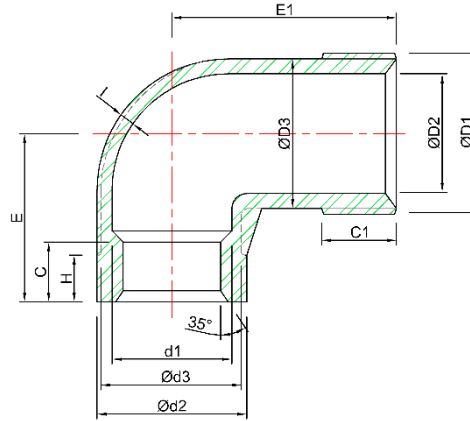
UOM: Inches/LBS

SELECT	SIZE	d1	d2	d3	C	E	G	H	I
<input type="checkbox"/>	1/8	1/8	0.63	0.53	0.24	0.67	0.14	0.24	0.08
<input type="checkbox"/>	1/4	1/4	0.75	0.61	0.37	0.77	0.16	0.24	0.08
<input type="checkbox"/>	3/8	3/8	0.89	0.77	0.38	0.94	0.16	0.31	0.10
<input type="checkbox"/>	1/2	1/2	1.10	1.02	0.39	1.14	0.12	0.30	0.08
<input type="checkbox"/>	3/4	3/4	1.34	1.24	0.41	1.26	0.12	0.35	0.08
<input type="checkbox"/>	1	1	1.69	1.61	0.55	1.46	0.16	0.39	0.10
<input type="checkbox"/>	1 1/4	1 1/4	2.01	1.89	0.63	1.71	0.20	0.43	0.10
<input type="checkbox"/>	1 1/2	1 1/2	2.32	2.22	0.61	1.89	0.20	0.47	0.10
<input type="checkbox"/>	2	2	2.83	2.68	0.71	2.19	0.22	0.51	0.10
<input type="checkbox"/>	2 1/2	2 1/2	3.54	3.39	0.87	2.64	0.35	0.55	0.12
<input type="checkbox"/>	3	3	4.17	4.02	0.94	3.03	0.39	0.59	0.14
<input type="checkbox"/>	4	4	5.20	5.00	1.02	3.78	0.33	0.65	0.14

Thread Pattern conform to ANSI / ASME B1.20.1, NPT
 No Lead
 Stainless Wrought Fittings conform To ASTM A182, Barstock to ASTM A479

**Class 150 # - CAST FITTINGS, ASTM A351 -
Regular Pattern**

90° ELBOW - STREET



- Grade: T304/CF8 T316/CF8M
 Connection: Threaded
 Source: Import Domestic

DIMENSIONS

UOM: Inches/LBS

SELECT	SIZE	d1	d2	d3	C	E	H	D1	D2	D3	C1	E1	I
<input type="checkbox"/>	1/8	1/8	0.59	0.47	0.28	0.71	0.20	1/8	0.20	0.35	0.31	1.02	0.08
<input type="checkbox"/>	1/4	1/4	0.71	0.59	0.41	0.87	0.20	1/4	0.24	0.47	0.43	1.22	0.08
<input type="checkbox"/>	3/8	3/8	0.89	0.79	0.41	0.87	0.24	3/8	0.35	0.55	0.43	1.54	0.08
<input type="checkbox"/>	1/2	1/2	1.10	1.02	0.39	1.06	0.31	1/2	0.55	0.75	0.51	1.61	0.08
<input type="checkbox"/>	3/4	3/4	1.42	1.30	0.47	1.30	0.35	3/4	0.79	0.98	0.51	1.85	0.08
<input type="checkbox"/>	1	1	1.77	1.65	0.55	1.46	0.35	1	0.98	1.22	0.73	2.09	0.08
<input type="checkbox"/>	1 1/4	1 1/4	2.05	1.97	0.67	1.73	0.43	1 1/4	1.30	1.56	0.75	2.48	0.10
<input type="checkbox"/>	1 1/2	1 1/2	2.36	2.24	0.67	1.85	0.43	1 1/2	1.57	1.83	0.75	2.72	0.10
<input type="checkbox"/>	2	2	2.87	2.72	0.71	2.32	0.51	2	1.97	2.24	0.85	3.15	0.10
<input type="checkbox"/>	2 1/2	2 1/2	3.54	3.39	0.91	2.60	0.59	2 1/2	2.24	2.60	0.94	4.13	0.16
<input type="checkbox"/>	3	3	4.17	3.98	0.94	3.09	0.65	3	2.91	3.19	1.14	4.45	0.16
<input type="checkbox"/>	4	4	5.14	5.04	1.02	3.86	0.77	4	3.82	4.17	1.34	5.12	0.16

Thread Pattern conform to ANSI / ASME B1.20.1, NPT
 No Lead
 Stainless Wrought Fittings conform To ASTM A182, Barstock to ASTM A479