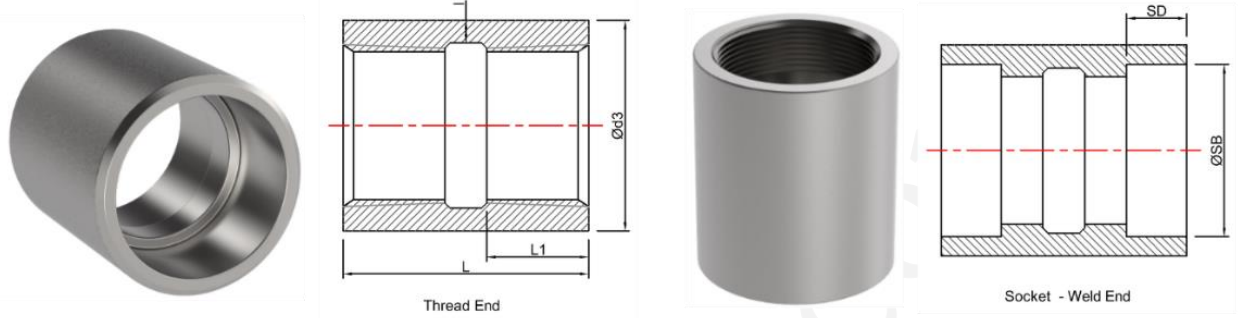


Project Name: _____
 Job #: _____

Class 150# - CAST FITTINGS, ASTM A351 - MSS
SP114 Heavy Pattern

HEAVY PATTERN COUPLING



- Grade: T304/CF8 T316/CF8M
 Connection: Threaded Socket weld
 Source: Import Domestic

DIMENSIONS

UOM: Inches/LBS

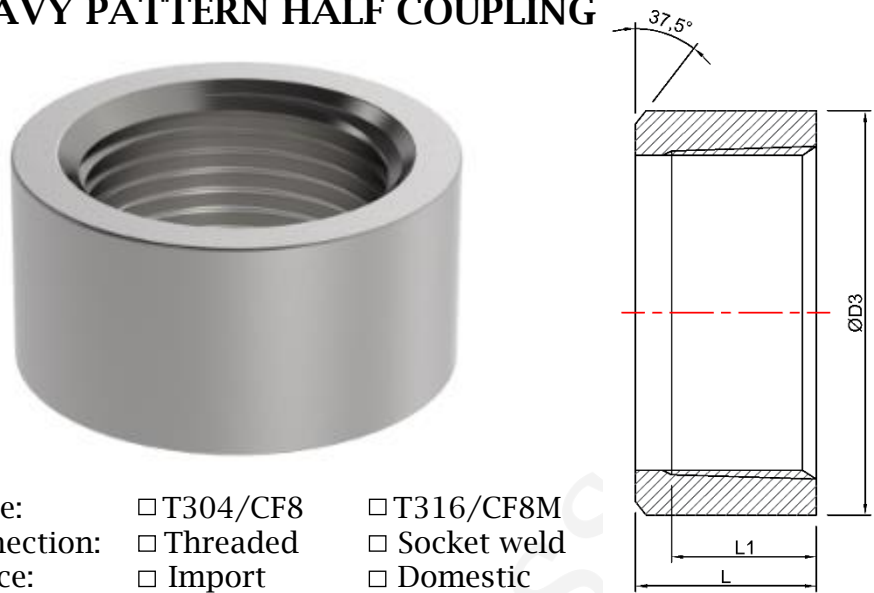
SELECT	SIZE	d3	I	L	L1	SB	SD
<input type="checkbox"/>	1/8	0.75	0.09	1.00	0.25	0.43	0.39
<input type="checkbox"/>	1/4	0.84	0.09	1.00	0.32	0.56	0.39
<input type="checkbox"/>	3/8	1.01	0.10	1.12	0.36	0.69	0.39
<input type="checkbox"/>	1/2	1.20	0.10	1.38	0.43	0.85	0.39
<input type="checkbox"/>	3/4	1.46	0.12	1.50	0.50	1.07	0.51
<input type="checkbox"/>	1	1.77	0.13	1.62	0.58	1.33	0.51
<input type="checkbox"/>	1 1/4	2.15	0.14	2.00	0.67	1.68	0.51
<input type="checkbox"/>	1 1/2	2.43	0.15	2.12	0.70	1.92	0.51
<input type="checkbox"/>	2	2.96	0.17	2.50	0.75	2.41	0.63
<input type="checkbox"/>	2 1/2	3.31	0.21	2.87	0.92	2.91	0.63
<input type="checkbox"/>	3	4.00	0.23	3.22	0.98	3.54	0.63
<input type="checkbox"/>	4	5.06	0.26	3.66	1.08	4.55	0.75

Thread Pattern conform to ANSI / ASME B1.20.1, NPT
 Stainless Castings conform to ASTM A351
 Stainless Wrought Fittings conform To ASTM A182, Barstock to ASTM A479
 Manufactured in accordance to ISO 9001: 2000

Project Name: _____
Job #: _____

**Class 150# - CAST FITTINGS, ASTM A351 - MSS
SP114 Heavy Pattern**

HEAVY PATTERN HALF COUPLING



- Grade: T304/CF8 T316/CF8M
 Connection: Threaded Socket weld
 Source: Import Domestic

DIMENSIONS

UOM: Inches/LBS

SELECT	SIZE	D3	L	L1
<input type="checkbox"/>	1/8	0.75	0.50	0.25
<input type="checkbox"/>	1/4	0.84	0.54	0.32
<input type="checkbox"/>	3/8	1.01	0.61	0.36
<input type="checkbox"/>	1/2	1.20	0.73	0.43
<input type="checkbox"/>	3/4	1.46	0.79	0.50
<input type="checkbox"/>	1	1.77	0.85	0.58
<input type="checkbox"/>	1 1/4	2.15	1.04	0.67
<input type="checkbox"/>	1 1/2	2.43	1.10	0.70
<input type="checkbox"/>	2	2.96	1.29	0.75
<input type="checkbox"/>	2 1/2	3.31	1.48	0.92
<input type="checkbox"/>	3	4.00	1.62	0.98
<input type="checkbox"/>	4	5.06	1.88	1.08

Thread Pattern conform to ANSI / ASME B1.20.1, NPT
 Stainless Castings conform to ASTM A351
 Stainless Wrought Fittings conform To ASTM A182, Barstock to ASTM A479
 Manufactured in accordance to ISO 9001: 2000

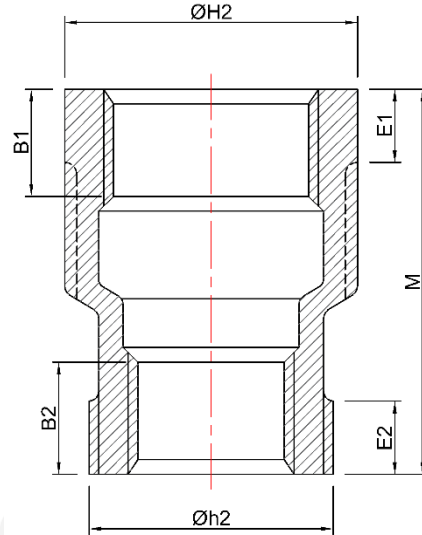
Project Name: _____

Job #: _____

MSS-HEAVY
150# CAST
A351
(Red Cplg)

Class 150# - CAST FITTINGS, ASTM A351 - MSS SP114 Heavy Pattern

HEAVY PATTERN REDUCING COUPLING



Grade: T304/CF8 T316/CF8M
 Connection: Threaded
 Source: Import Domestic

DIMENSIONS

UOM: Inches/LBS

SELECT	SIZE	h2	H2	B1	B2	E1	E2	M
<input type="checkbox"/>	1/4 x 1/8	0.75	0.84	0.32	0.25	0.20	0.20	1.00
<input type="checkbox"/>	3/8 x 1/8	0.75	1.01	0.36	0.25	0.21	0.20	1.12
<input type="checkbox"/>	3/8 x 1/4	0.84	1.01	0.36	0.32	0.21	0.20	1.12
<input type="checkbox"/>	1/2 x 1/8	0.75	1.20	0.43	0.25	0.25	0.20	1.38
<input type="checkbox"/>	1/2 x 1/4	0.84	1.20	0.43	0.32	0.25	0.20	1.38
<input type="checkbox"/>	1/2 x 3/8	1.01	1.20	0.43	0.36	0.25	0.21	1.38
<input type="checkbox"/>	3/4 x 1/8	0.75	1.46	0.50	0.25	0.27	0.20	1.50
<input type="checkbox"/>	3/4 x 1/4	0.84	1.46	0.50	0.32	0.27	0.20	1.50
<input type="checkbox"/>	3/4 x 3/8	1.01	1.46	0.50	0.36	0.27	0.21	1.50
<input type="checkbox"/>	3/4 x 1/2	1.20	1.46	0.50	0.43	0.27	0.25	1.50
<input type="checkbox"/>	1 x 1/8	0.75	1.77	0.58	0.25	0.30	0.20	1.62
<input type="checkbox"/>	1 x 1/4	0.84	1.77	0.58	0.32	0.30	0.20	1.62
<input type="checkbox"/>	1 x 3/8	1.01	1.77	0.58	0.36	0.30	0.21	1.62
<input type="checkbox"/>	1 x 1/2	1.20	1.77	0.58	0.43	0.30	0.25	1.62
<input type="checkbox"/>	1 x 3/4	1.46	1.77	0.58	0.50	0.30	0.27	1.62
<input type="checkbox"/>	1 1/4 x 1/4	1.77	2.96	0.75	0.58	0.42	0.30	2.50
<input type="checkbox"/>	1 1/4 x 3/8	2.15	2.96	0.75	0.67	0.42	0.34	2.50
<input type="checkbox"/>	1 1/4 x 1/2	2.43	2.96	0.75	0.70	0.42	0.37	2.50
<input type="checkbox"/>	1 1/4 x 3/4	1.46	3.31	0.92	0.50	0.48	0.27	3.25
<input type="checkbox"/>	1 1/4 x 1	1.77	3.31	0.92	0.58	0.48	0.30	3.25

Thread Pattern conform to ANSI / ASME B1.20.1, NPT
 Stainless Castings conform to ASTM A351
 Stainless Wrought Fittings conform To ASTM A182, Barstock to ASTM A479
 Manufactured in accordance to ISO 9001: 2000

Project Name: _____

Job #: _____

SELECT	SIZE	h2	H2	B1	B2	E1	E2	M
<input type="checkbox"/>	1 1/2 x 1/4	2.15	3.31	0.92	0.67	0.48	0.34	3.25
<input type="checkbox"/>	1 1/2 x 3/8	2.43	3.31	0.92	0.70	0.48	0.37	3.25
<input type="checkbox"/>	1 1/2 x 1/2	2.96	3.31	0.92	0.75	0.48	0.42	3.25
<input type="checkbox"/>	1 1/2 x 3/4	1.46	4.00	0.98	0.50	0.55	0.27	3.68
<input type="checkbox"/>	1 1/2 x 1 1/4	2.15	2.43	0.70	0.67	0.37	0.34	2.12
<input type="checkbox"/>	2 x 1/4	0.84	2.96	0.75	0.32	0.42	0.20	2.50
<input type="checkbox"/>	2 x 3/8	1.01	2.96	0.75	0.36	0.42	0.21	2.50
<input type="checkbox"/>	2 x 1/2	1.20	2.96	0.75	0.43	0.42	0.25	2.50
<input type="checkbox"/>	2 x 3/4	1.46	2.96	0.75	0.50	0.42	0.27	2.50
<input type="checkbox"/>	2 x 1	1.77	2.96	0.75	0.58	0.42	0.30	2.50
<input type="checkbox"/>	2 x 1 1/4	2.15	2.96	0.75	0.67	0.42	0.34	2.50
<input type="checkbox"/>	2 x 1 1/2	2.43	2.96	0.75	0.70	0.42	0.37	2.50
<input type="checkbox"/>	2 1/2 x 3/4	1.46	3.31	0.92	0.50	0.48	0.27	3.25
<input type="checkbox"/>	2 1/2 x 1	1.77	3.31	0.92	0.58	0.48	0.30	3.25
<input type="checkbox"/>	2 1/2 x 1 1/4	2.15	3.31	0.92	0.67	0.48	0.34	3.25
<input type="checkbox"/>	2 1/2 x 1 1/2	2.43	3.31	0.92	0.70	0.48	0.37	3.25
<input type="checkbox"/>	2 1/2 x 2	2.96	3.31	0.92	0.75	0.48	0.42	3.25
<input type="checkbox"/>	3 x 3/4	1.46	4.00	0.98	0.50	0.55	0.27	3.68
<input type="checkbox"/>	3 x 1	1.77	4.00	0.98	0.58	0.55	0.30	3.68
<input type="checkbox"/>	3 x 1 1/4	2.15	4.00	0.98	0.67	0.55	0.34	3.68
<input type="checkbox"/>	3 x 1 1/2	2.43	4.00	0.98	0.70	0.55	0.37	3.68
<input type="checkbox"/>	3 x 2	2.96	4.00	0.98	0.75	0.55	0.42	3.68
<input type="checkbox"/>	3 x 2 1/2	3.31	4.00	0.98	0.92	0.55	0.48	3.68
<input type="checkbox"/>	4 x 1	1.77	5.06	1.08	0.58	0.66	0.30	4.38
<input type="checkbox"/>	4 x 1 1/4	2.15	5.06	1.08	0.67	0.66	0.34	4.38
<input type="checkbox"/>	4 x 1 1/2	2.43	5.06	1.08	0.70	0.66	0.37	4.38
<input type="checkbox"/>	4 x 2	2.96	5.06	1.08	0.75	0.66	0.42	4.38
<input type="checkbox"/>	4 x 2 1/2	3.31	5.06	1.08	0.92	0.66	0.48	4.38
<input type="checkbox"/>	4 x 3	4.00	5.06	1.08	0.98	0.66	0.55	4.38

Thread Pattern conform to ANSI / ASME B1.20.1, NPT
 Stainless Castings conform to ASTM A351
 Stainless Wrought Fittings conform To ASTM A182, Barstock to ASTM A479
 Manufactured in accordance to ISO 9001: 2000